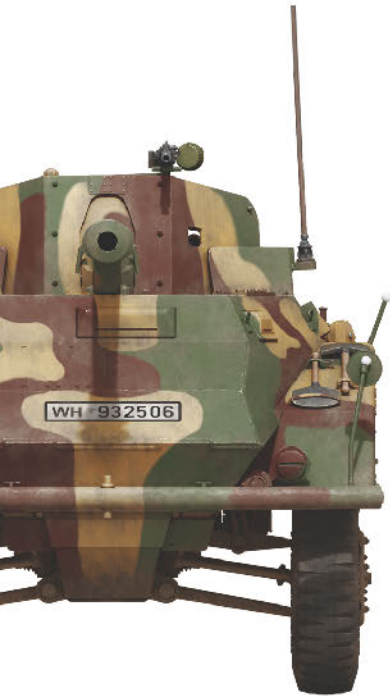


# Sd.Kfz. 234/4

SCHWERER PANZERSPÄHWAGEN 7,5 cm.

35427



## GENERAL INSTRUCTION

HIGHLY DETAILED PLASTIC MODEL KIT

PHOTO-ETCHED PARTS INCLUDED

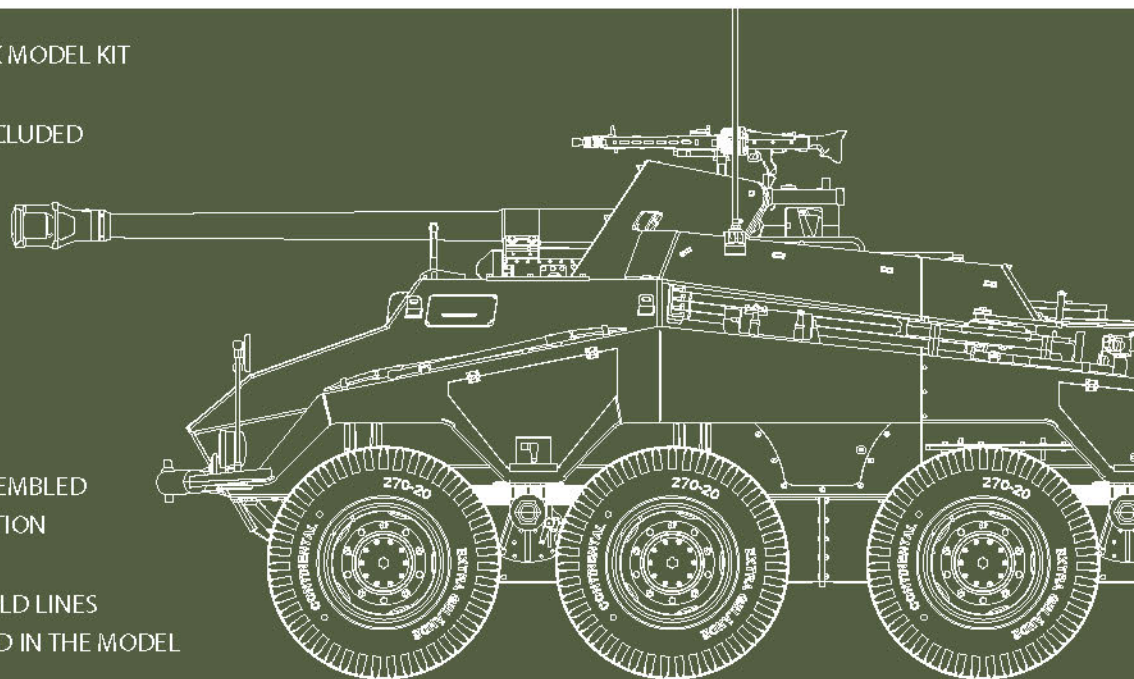
FULL INTERIOR  
ACCURATELY  
REPRESENTED

CLEAR PLASTIC  
PARTS INCLUDED

ALL HATCHES CAN BE ASSEMBLED  
IN OPEN OR CLOSED POSITION

METAL SURFACES AND WELD LINES  
ACCURATELY REPRESENTED IN THE MODEL

DECAL SHEET FOR 4 OPTIONS



**SCALE**  
**1:35**

PAINTING GUIDE **1** Unidentified unit. December 1944.



PAINTING GUIDE **2** Unidentified unit. Germany, Spring 1945.







POWTOZDZ DWA RAZY  
MAVE 2x/2x  
2 TEILE FERTIGEN  
EFFECTUER 2 PIECES  
FARE DUE PEZZI  
TEE 2 KPL  
DOP 2 ST  
КЛИМЦЬ ПАБД

NE UMÁVAJ KLEJIT  
DO NOT CEMENT  
NICHT KLEBEN  
NE PAS COLLER  
NON INCOLLARE  
SUUMMA  
JUMMAJ  
HE KLEITTI

OPCJE  
OPTIONAL  
NACH BELEBEN  
FACULTATIF  
FACOLTATIVO  
VALINNANVARAINEN  
VALBAR  
BARIANTTI

ZROBIC DEZURE  
OPEN HOLE  
OFFEN  
FAIRE UN TROU  
FORO APERTO  
AVAN RECA  
OPPNÄALET  
ЗРОБИТИ ОТВЕР

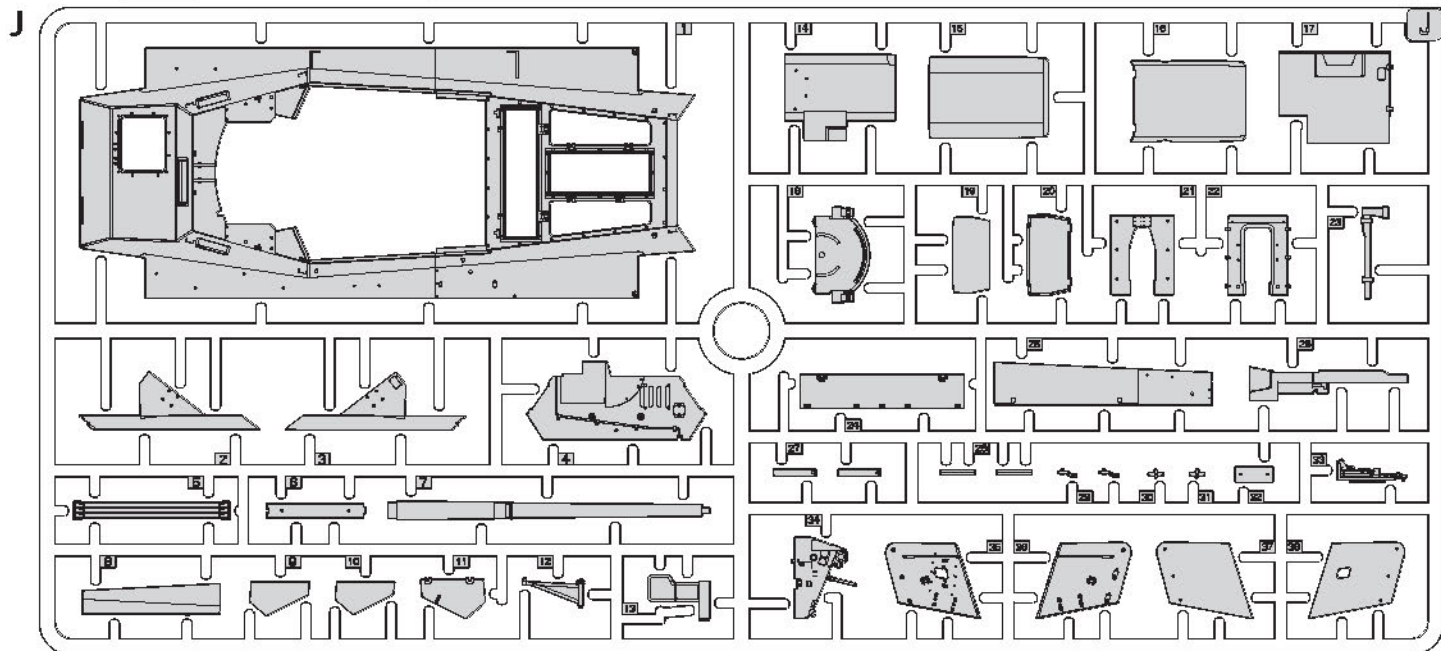
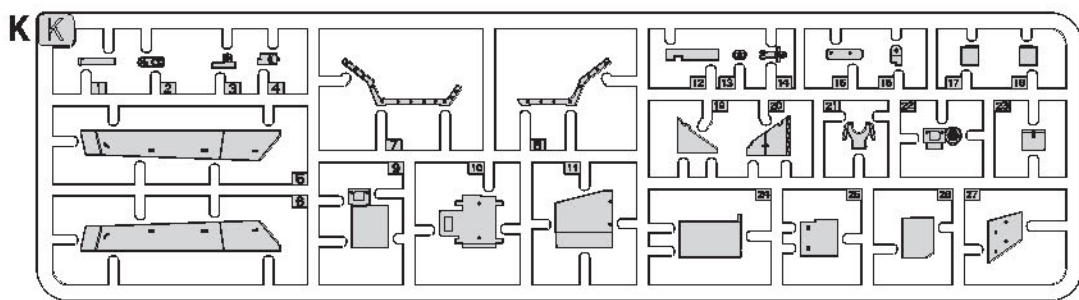
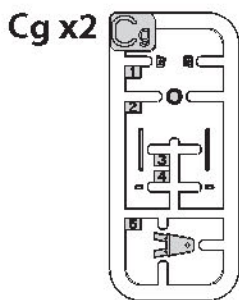
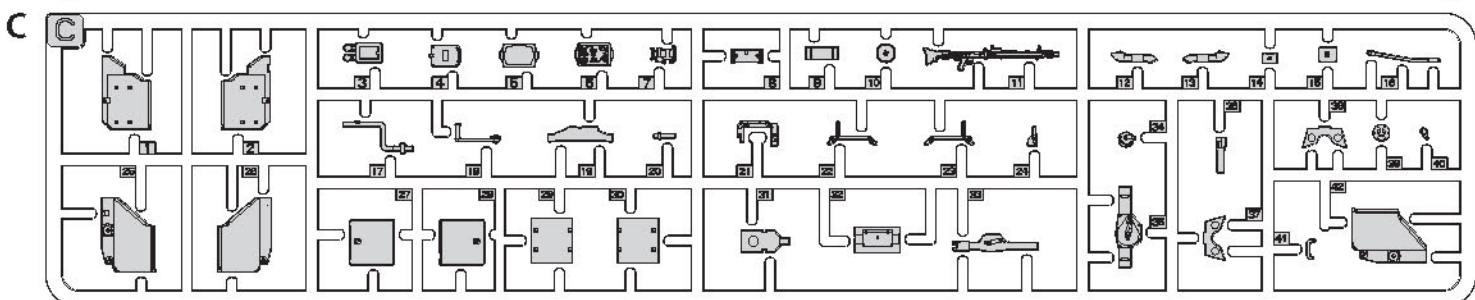
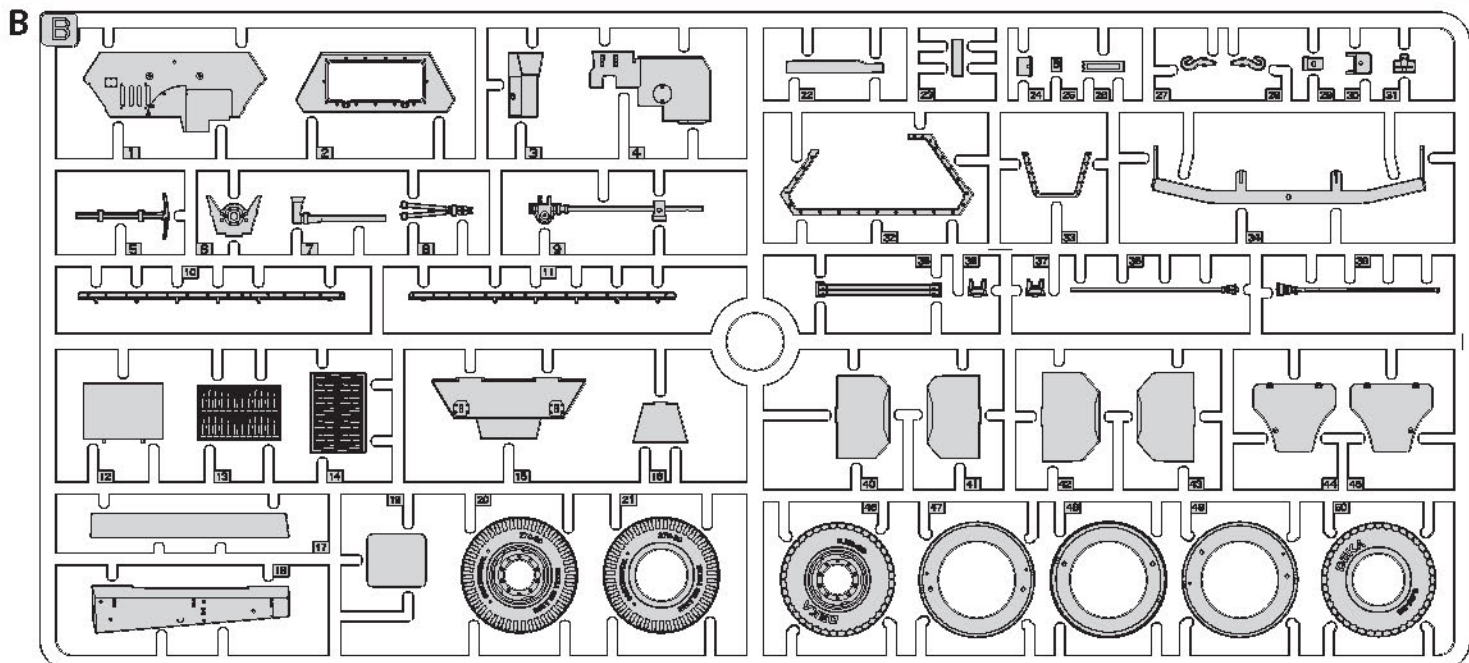
COCAC  
REMOVE  
ENTFERNEN  
RETRIERE  
REPARARE  
POSTRA  
AVLÄGSNA  
VIRPISATI

ZARZYC SZCZESÓWY  
ANVELL THE PART  
GLÖDNINGSDEL  
PARTIE DE REDUIT  
PARTE REDUCIDA  
PARTIE REDUCIDA  
HEIKUTTA OSA  
ВИДІЛЮТИ ДЕТАЛЬ

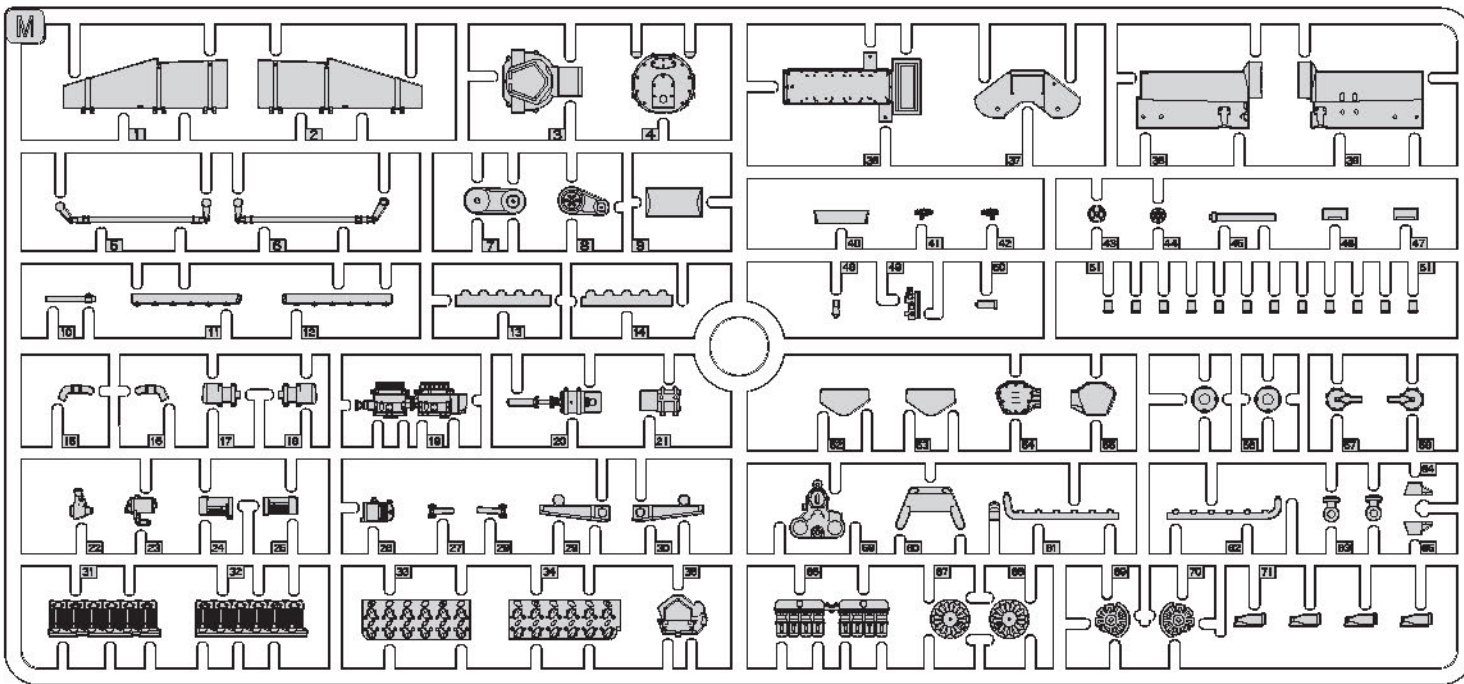
ZDINAC  
BEND  
BITTE BIEGEN  
PLIER S'IL VOUS PLAÎT  
PIEGARE  
TÄLTA  
BOČKA  
ВМІТ-УТИ

ZRAB TO SAM  
SCRATCH-BUILD  
AM MEISTEN ZU MACHEN  
FAIRE LE PLUS  
RENDITI  
TEE ITSE  
GÖR DIG SJÄLV  
ЗРОБИТИ САМОЮ

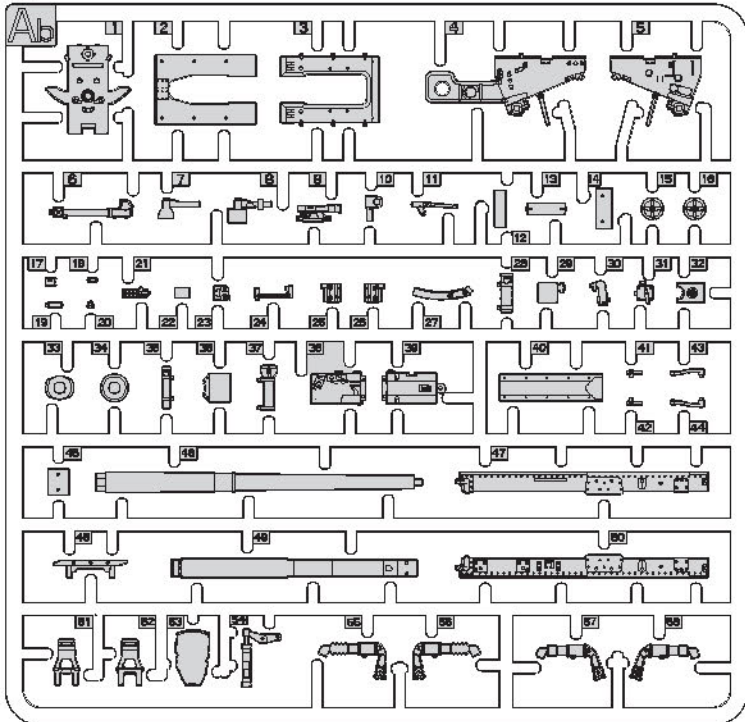
**PARTS**



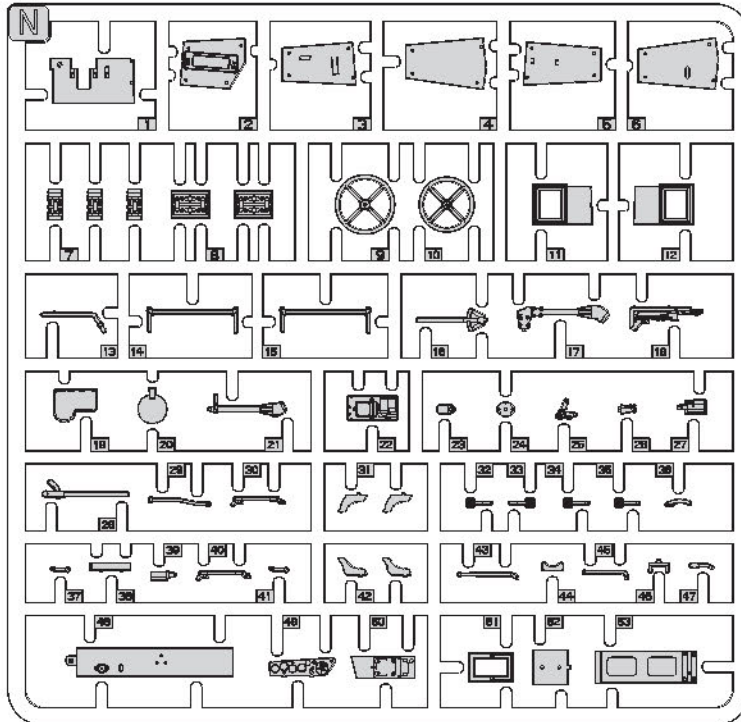
M



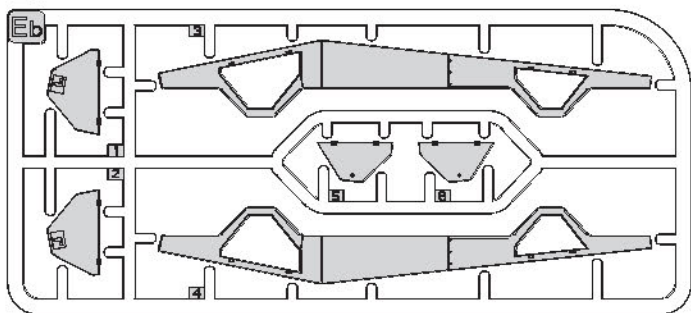
Ab



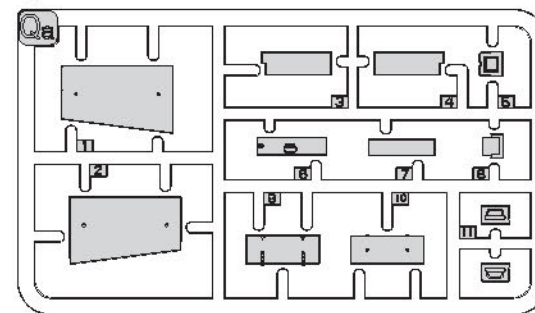
N



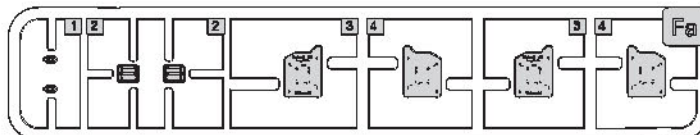
Eb

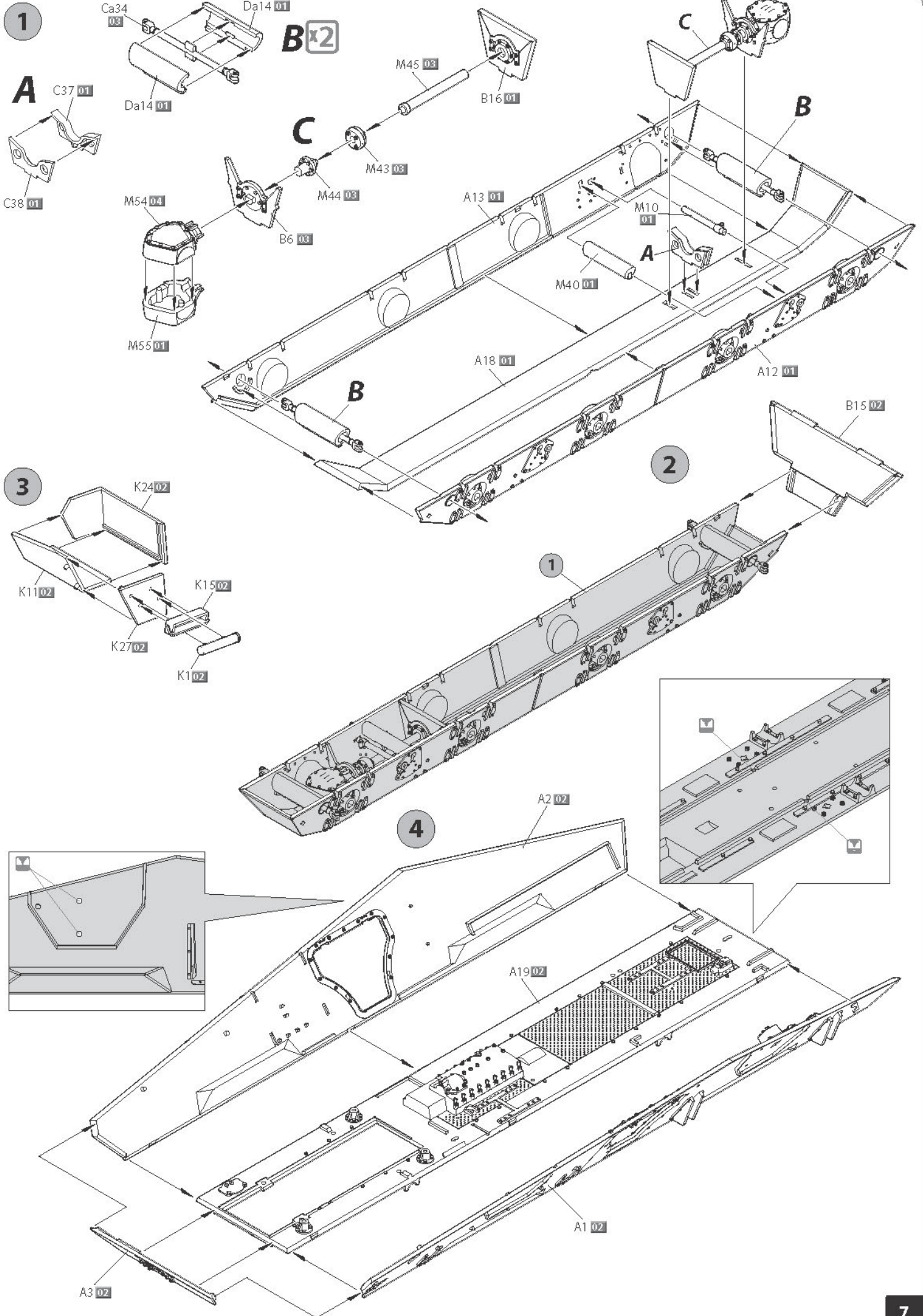


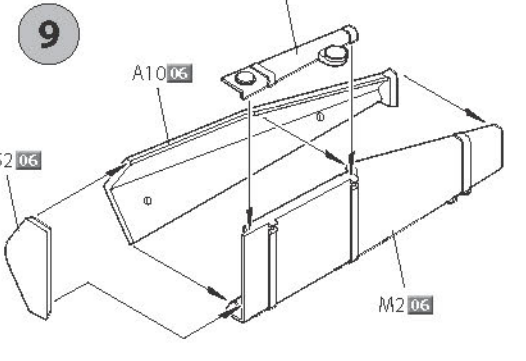
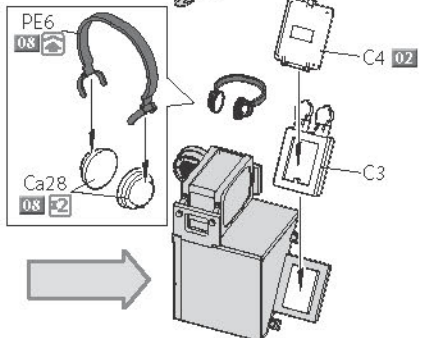
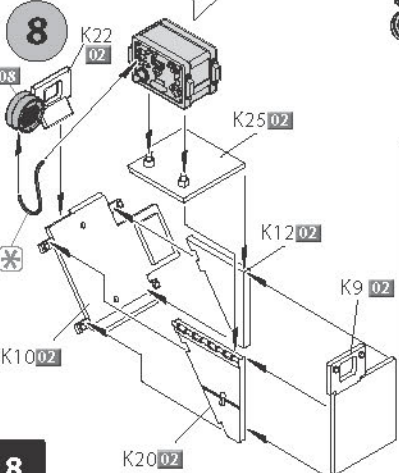
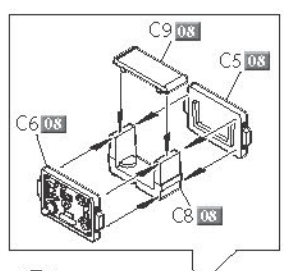
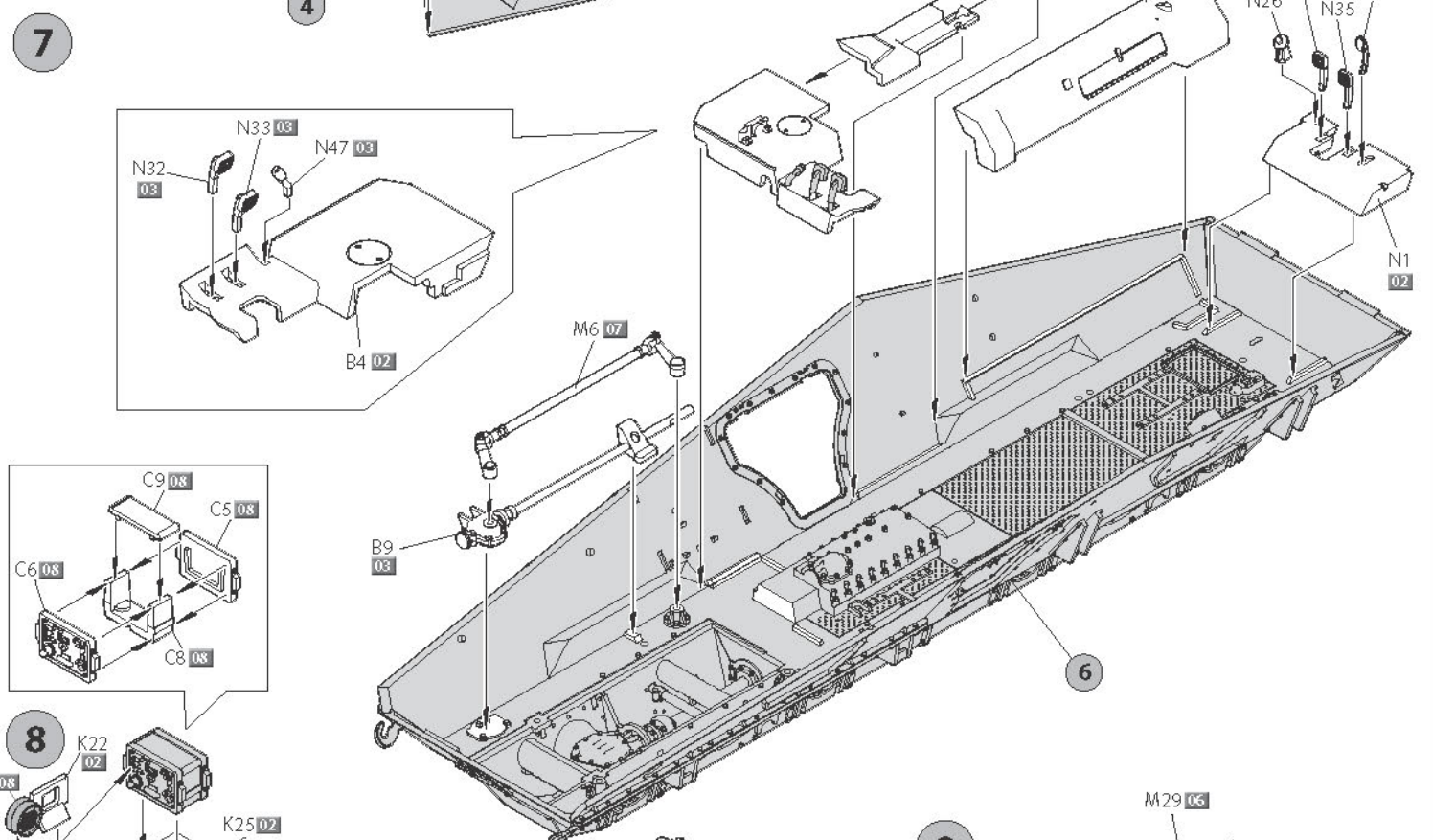
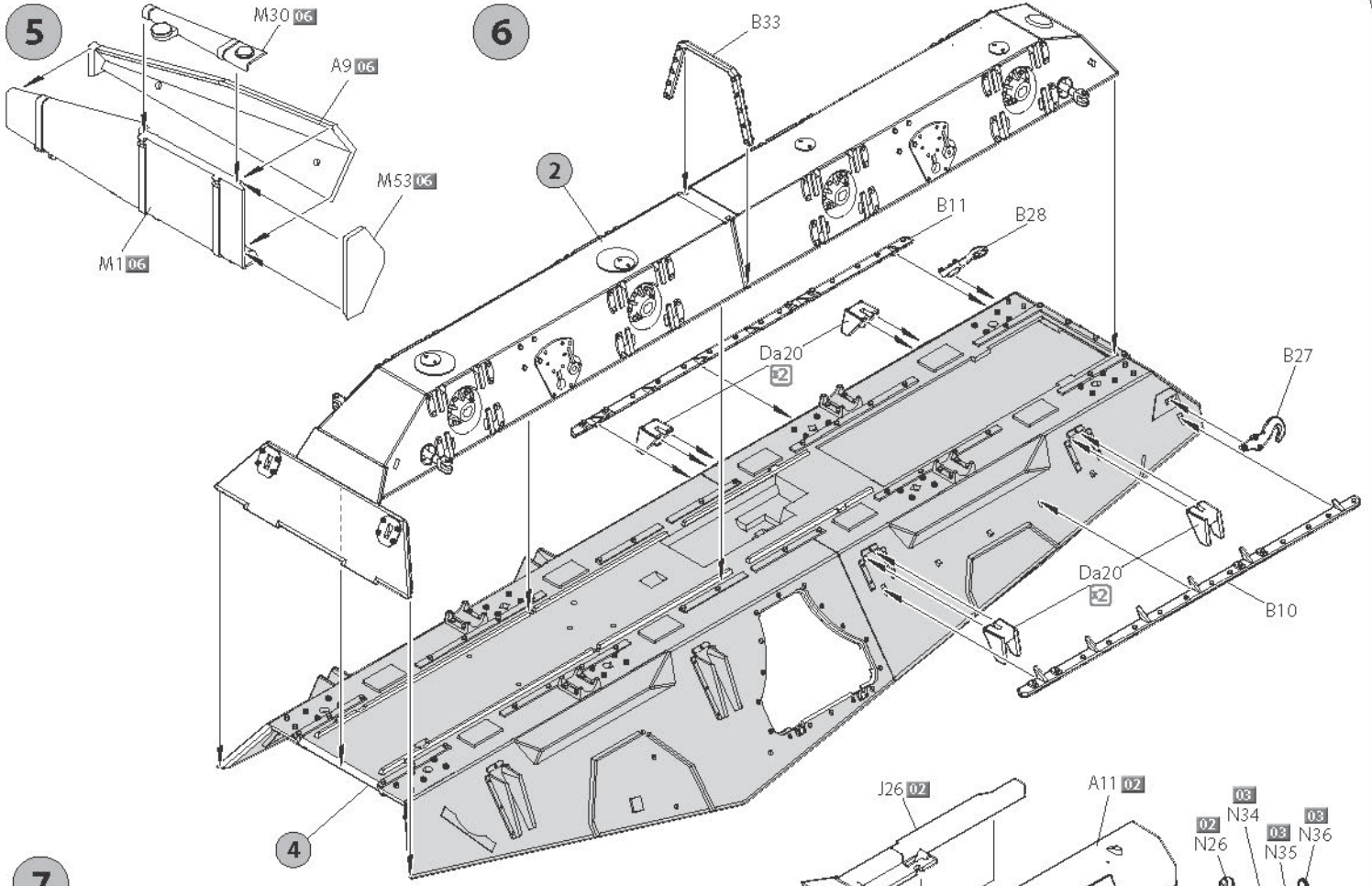
Qa



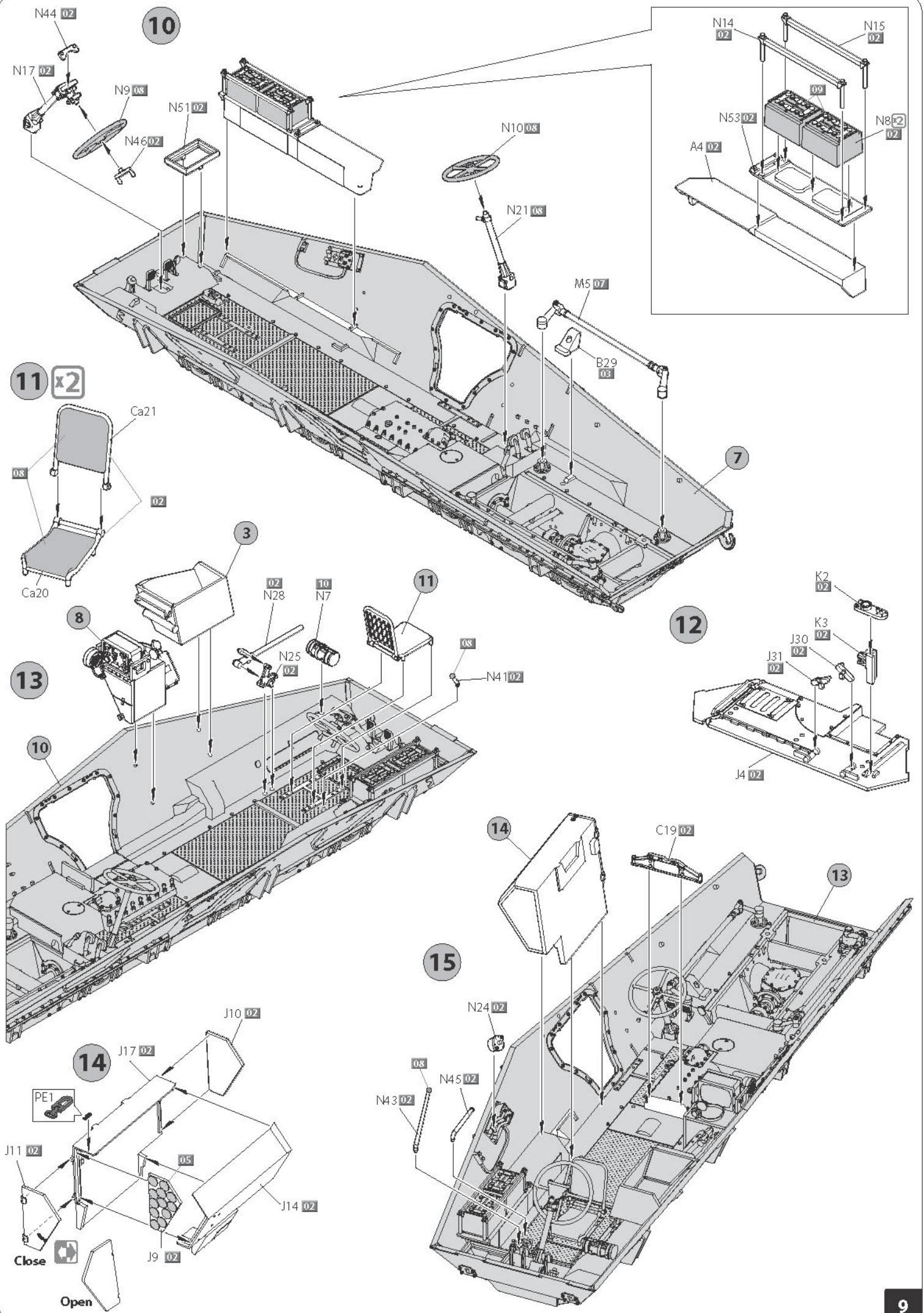
Fa x2



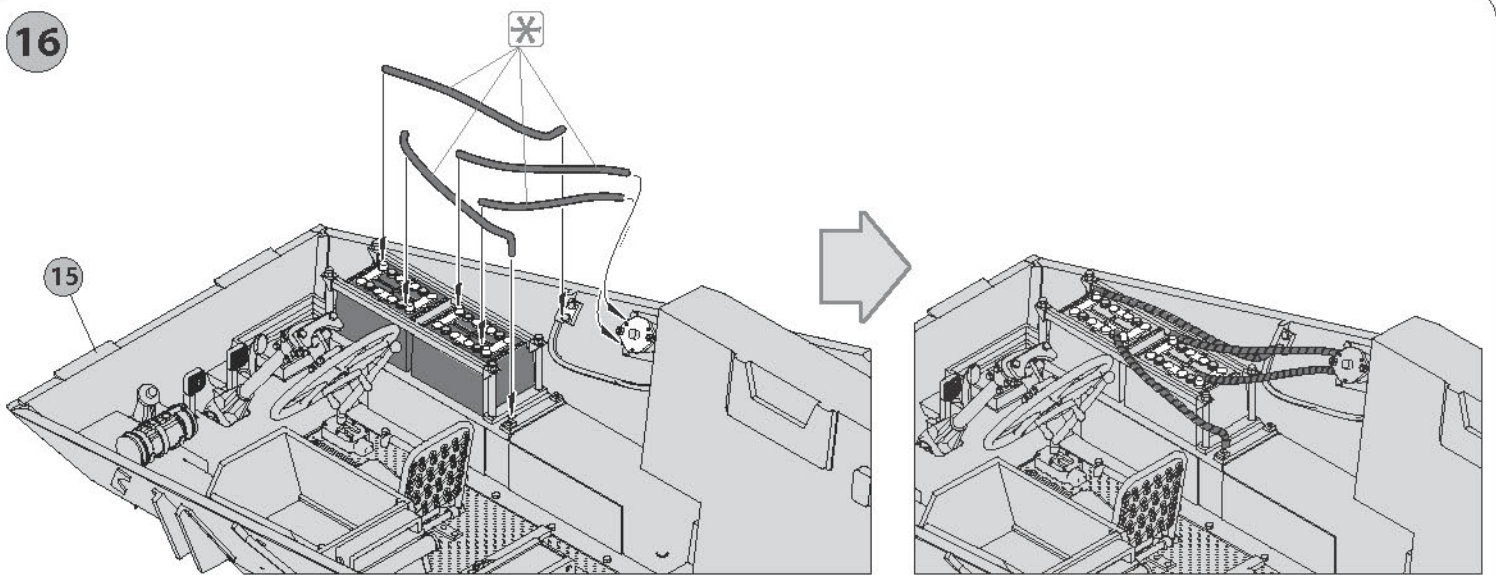




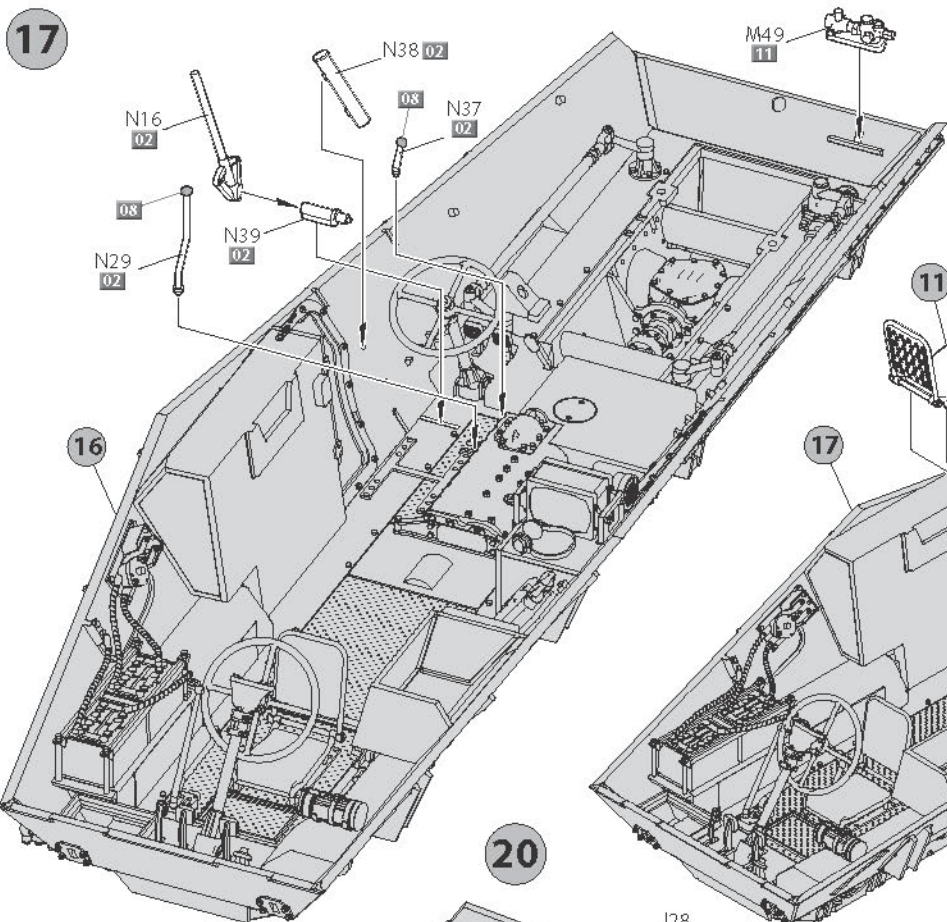




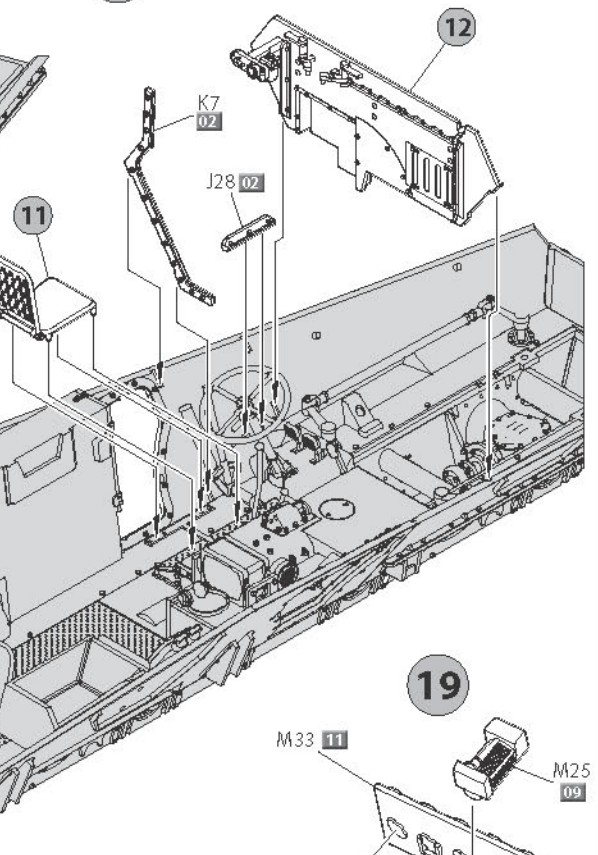
16



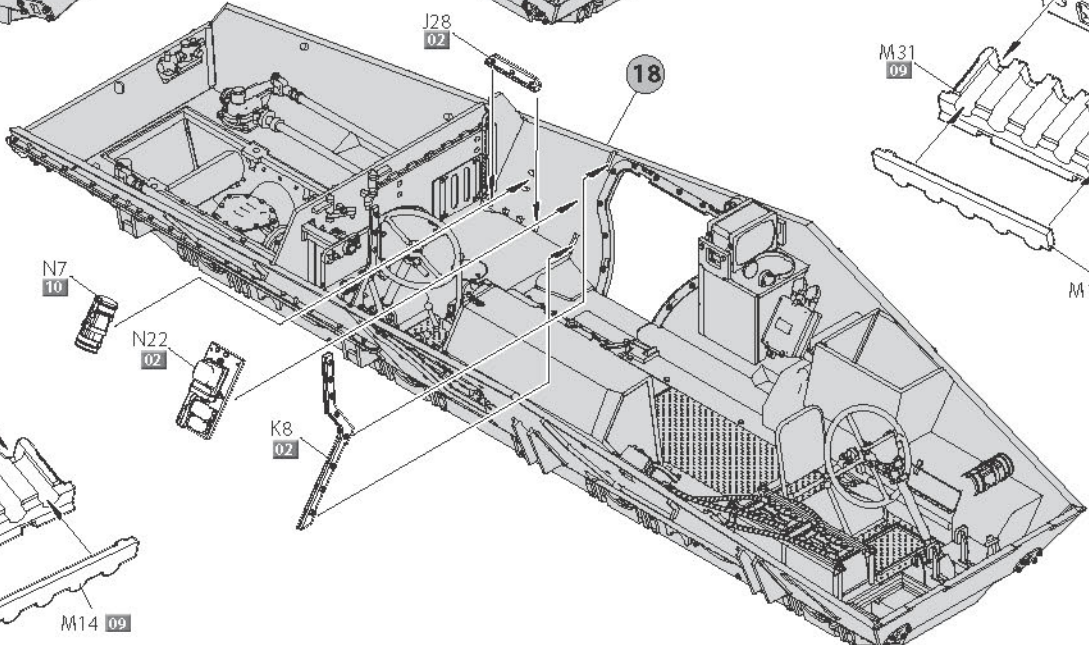
17



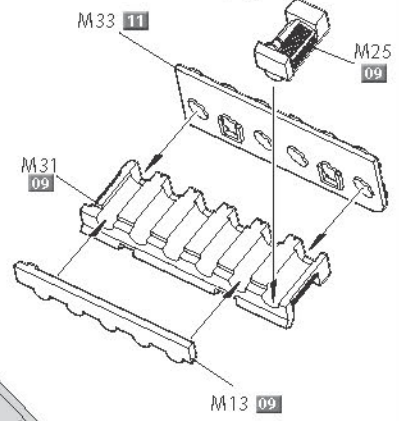
18



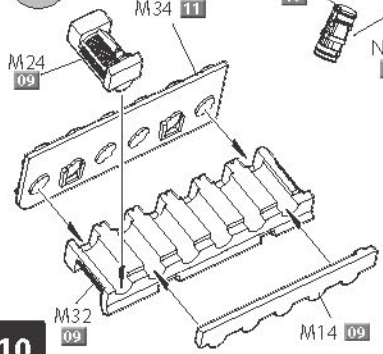
20



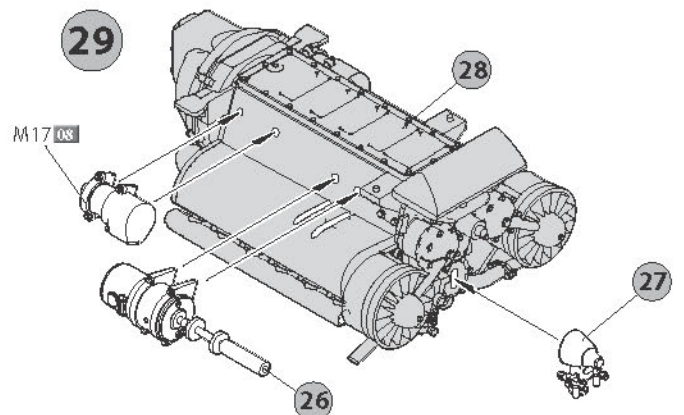
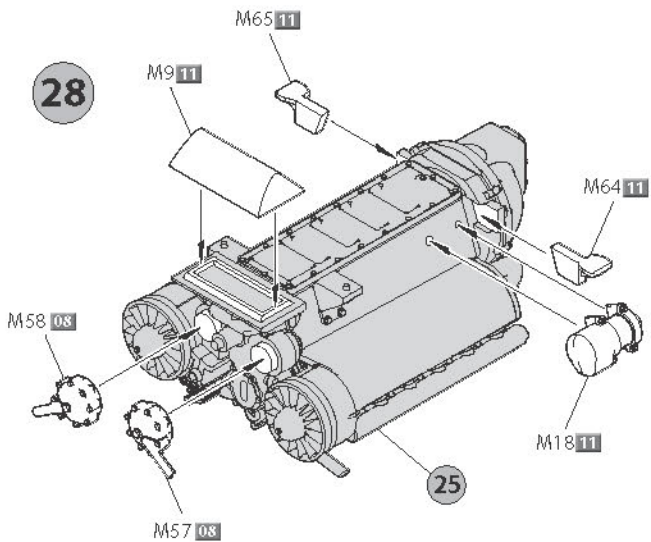
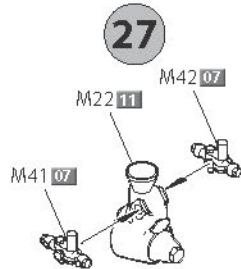
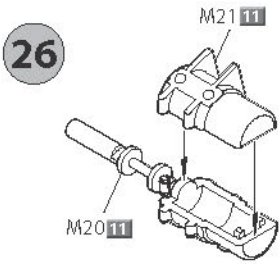
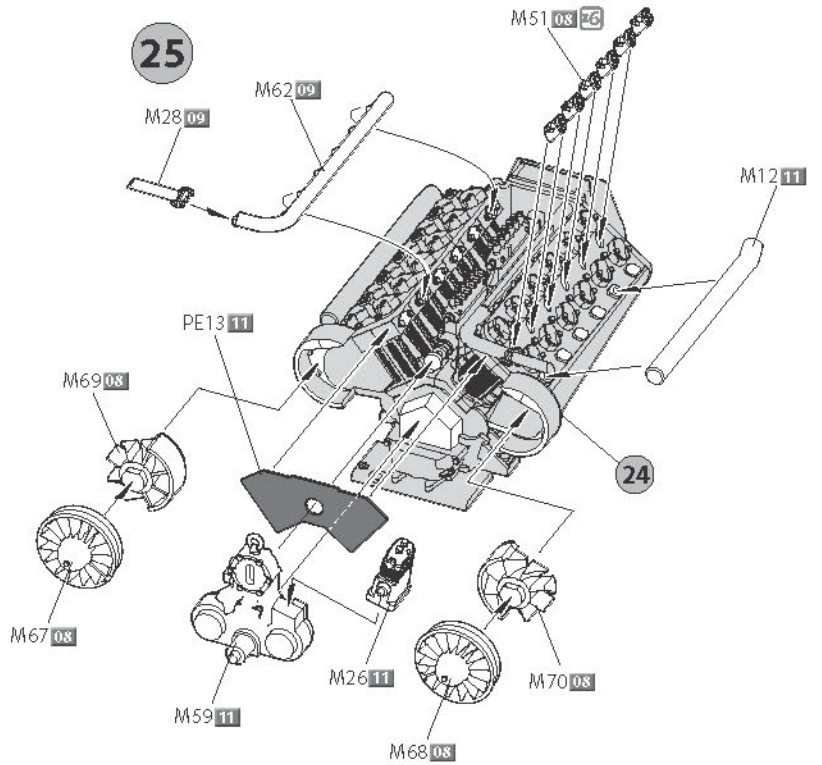
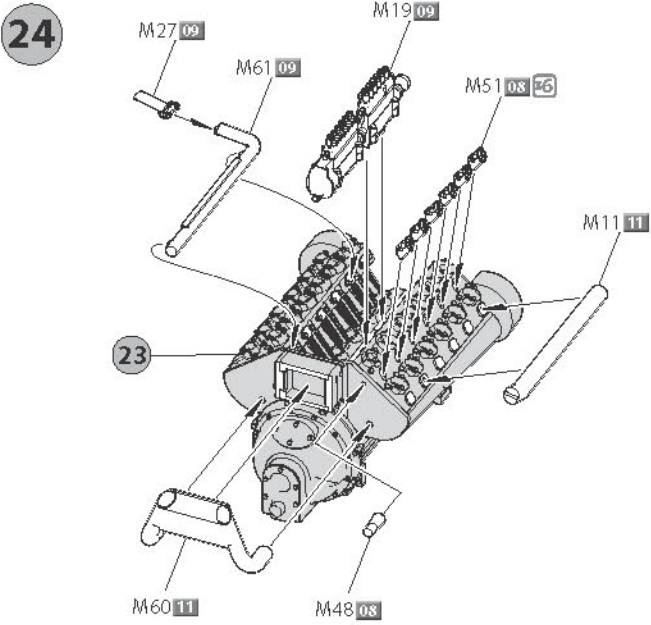
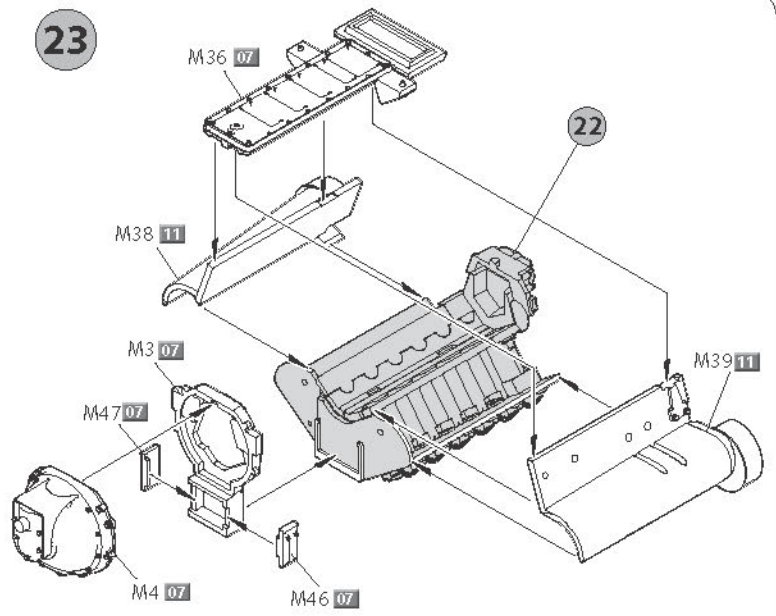
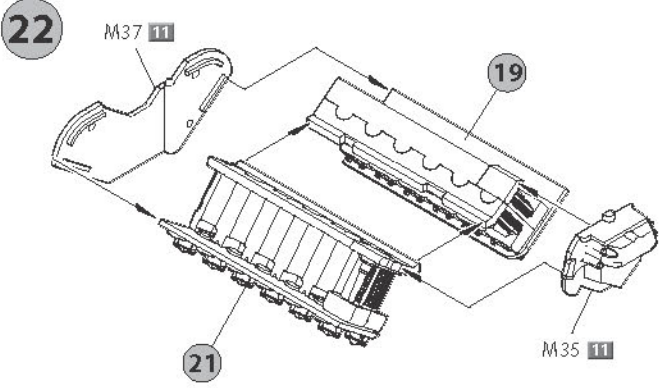
19



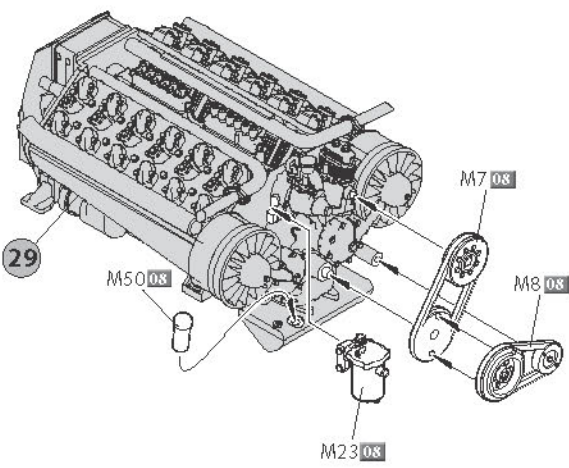
21



10

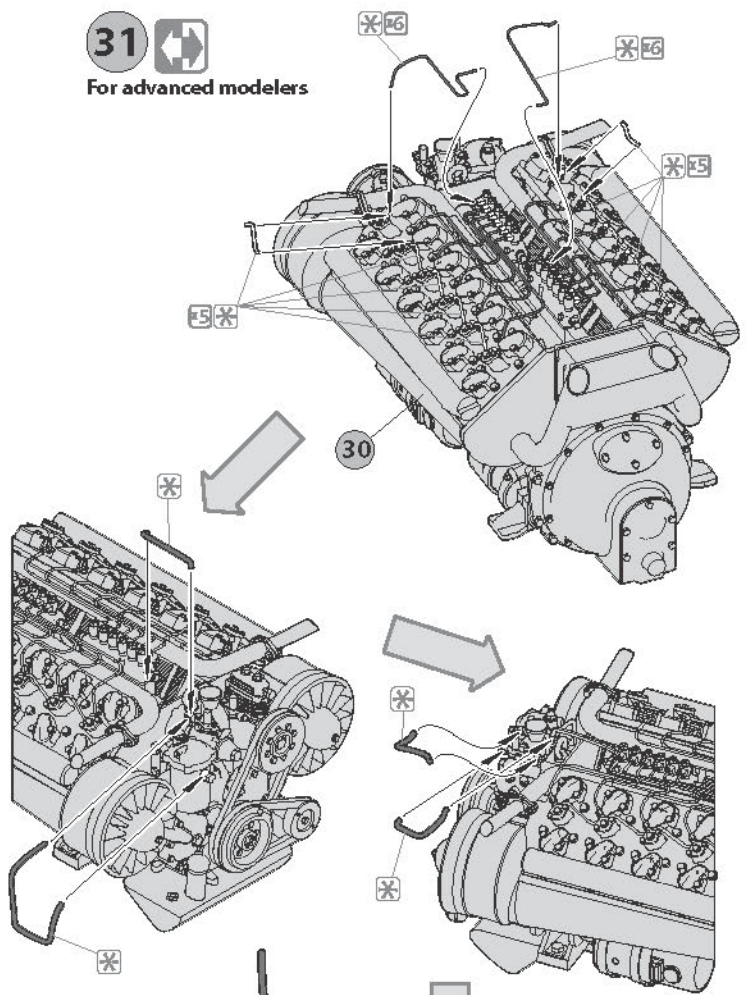


30

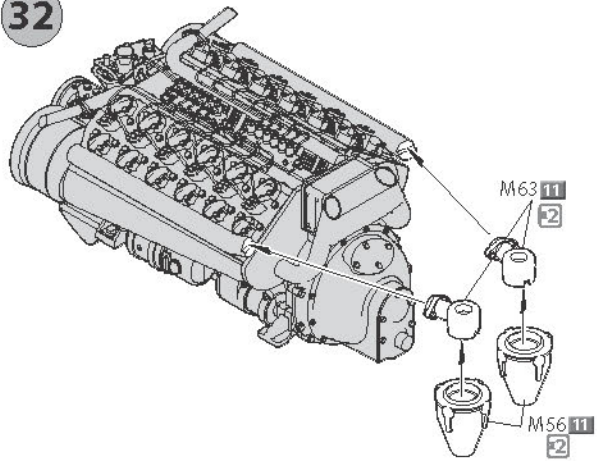


31

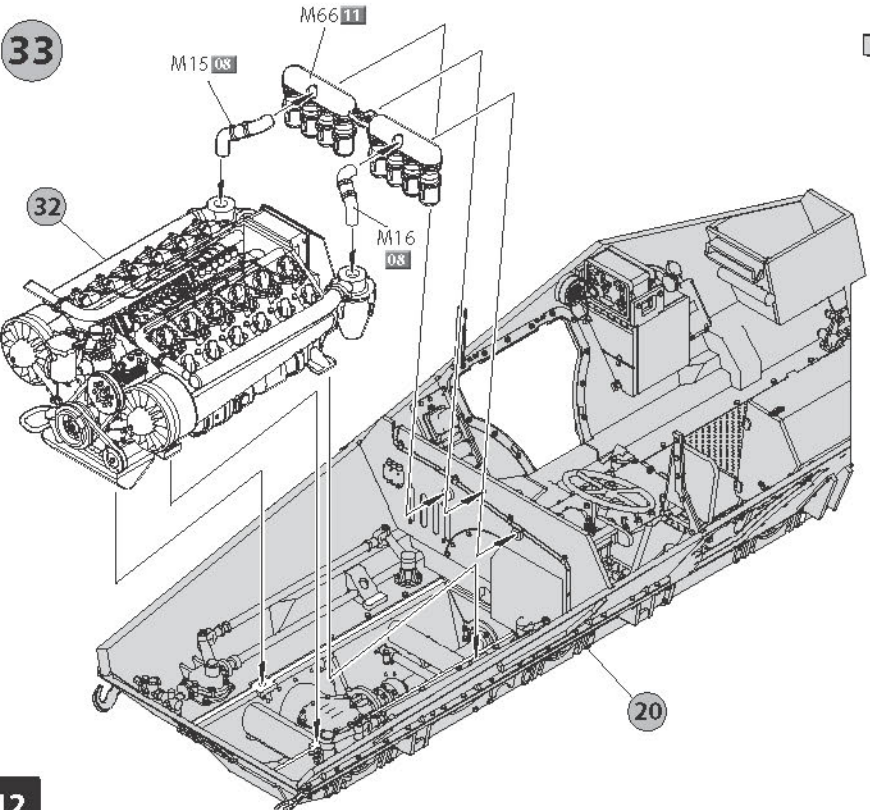
For advanced modelers



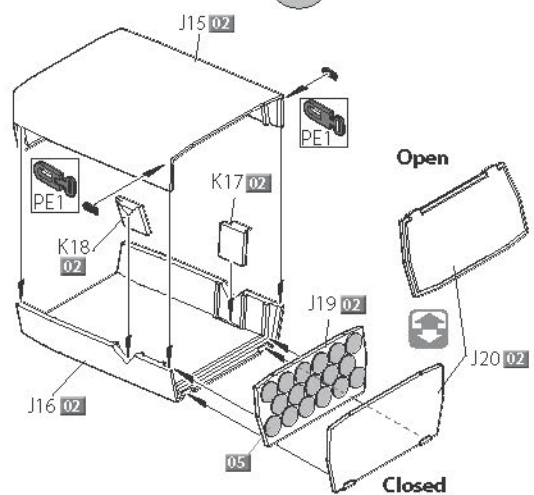
32

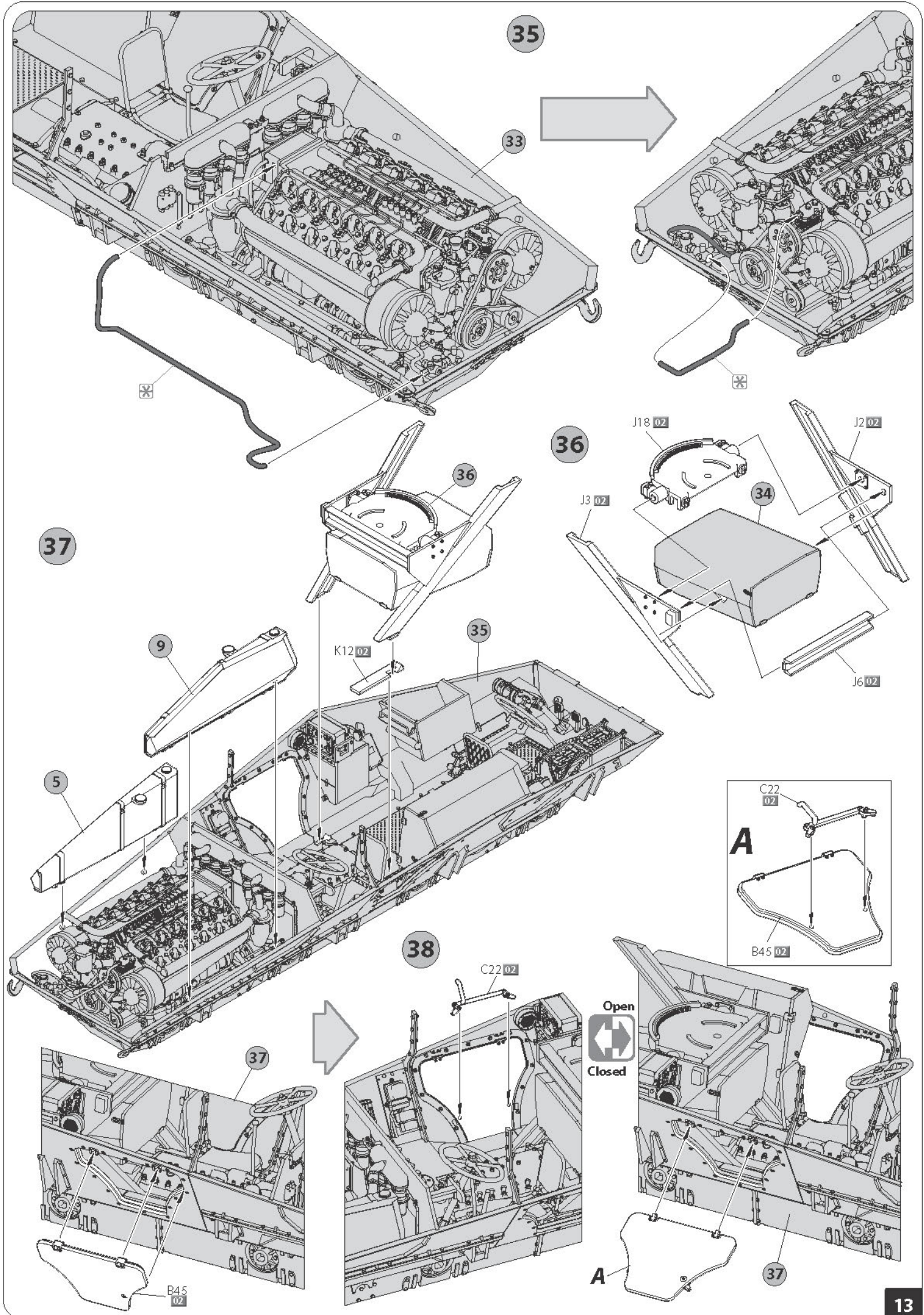


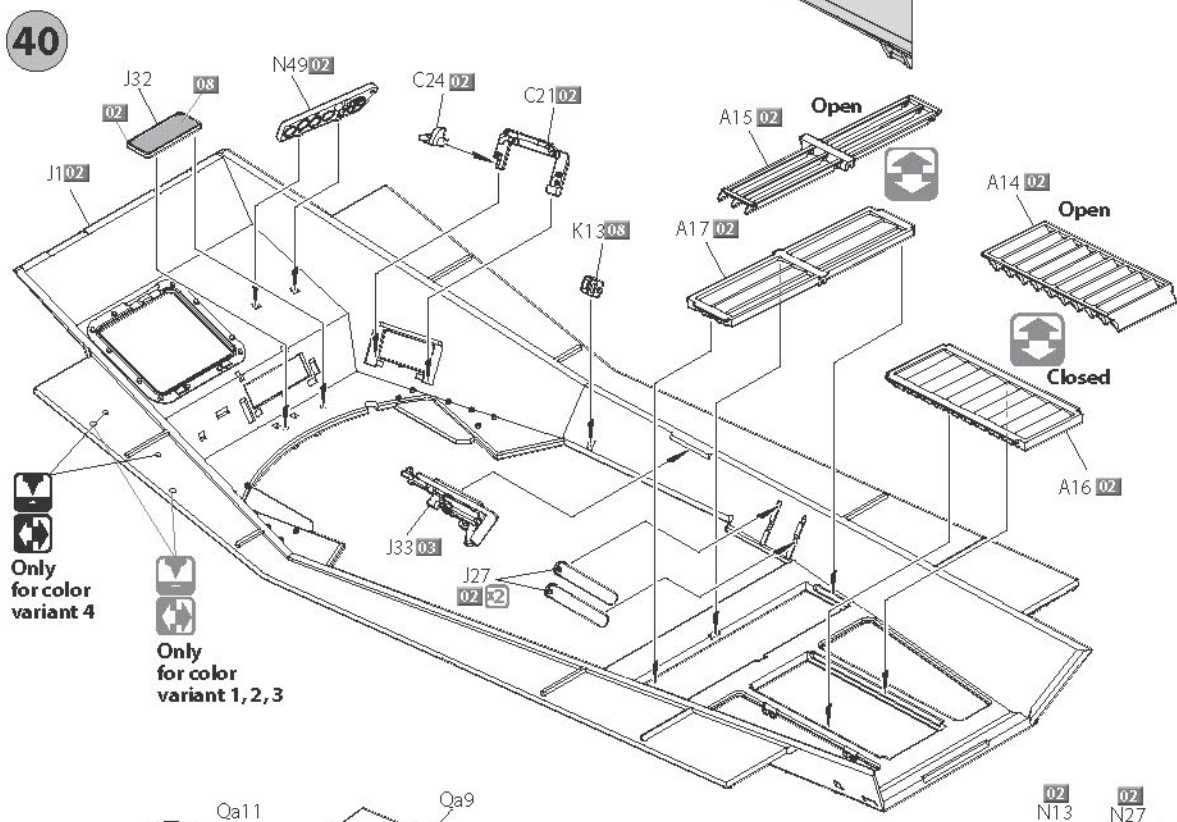
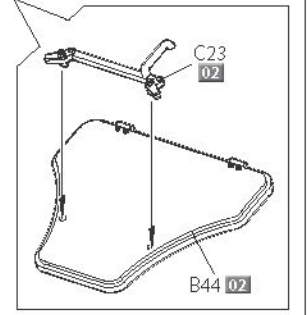
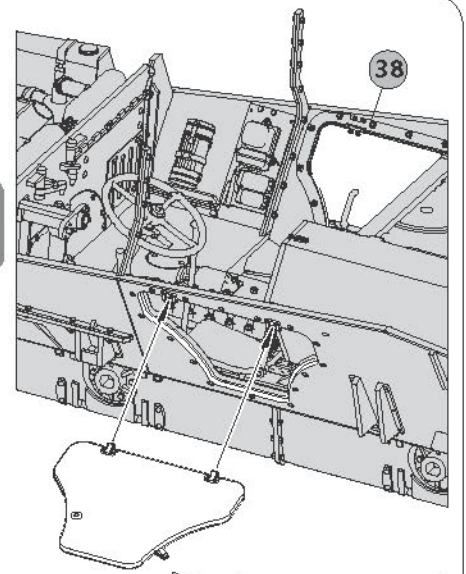
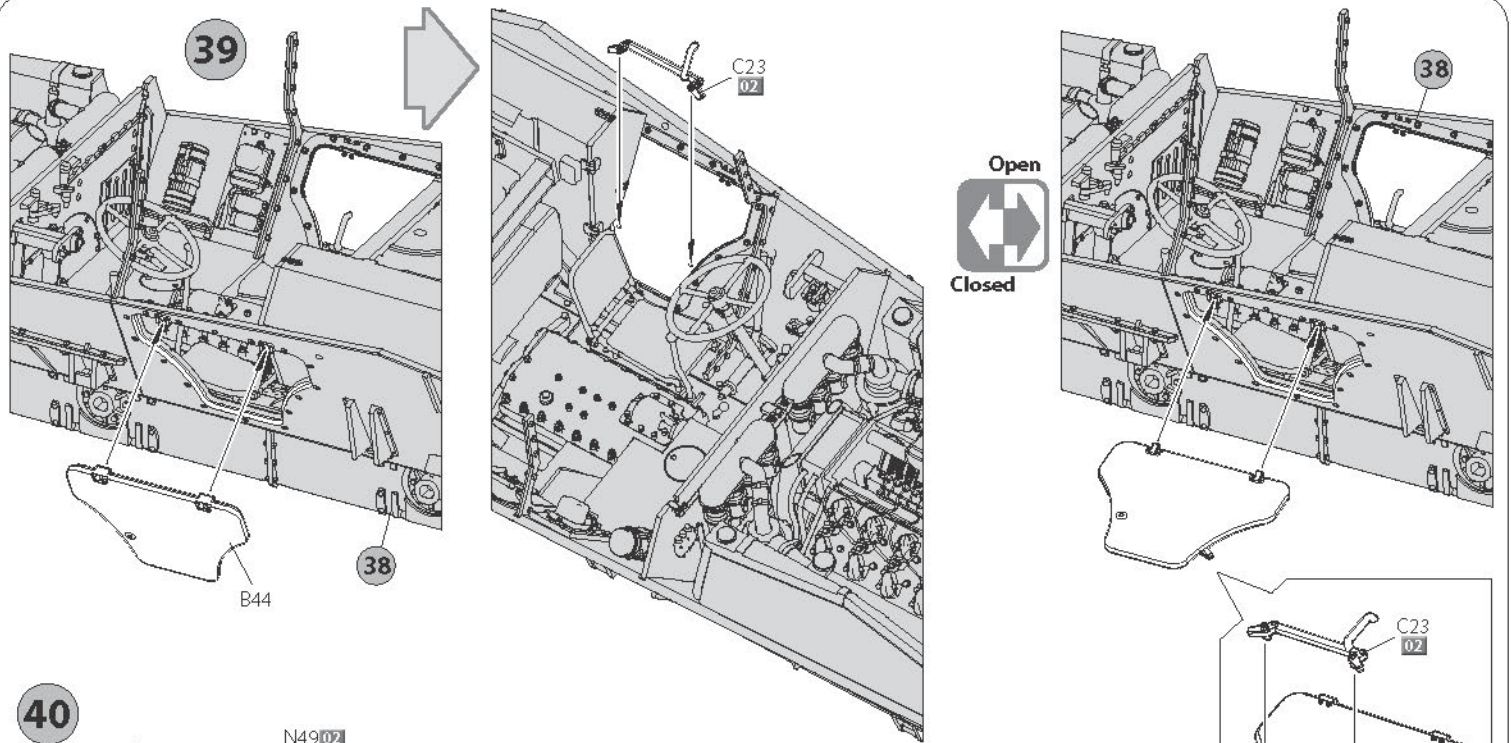
33



34

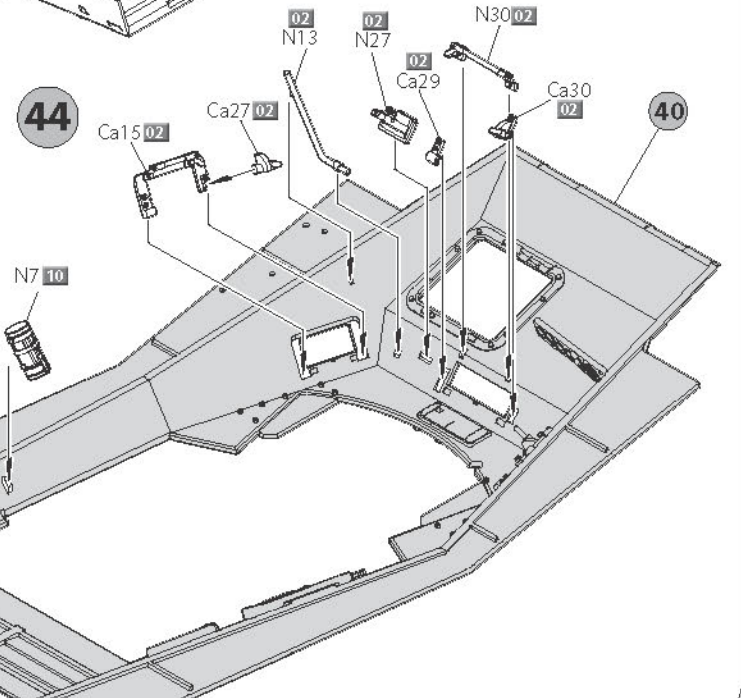
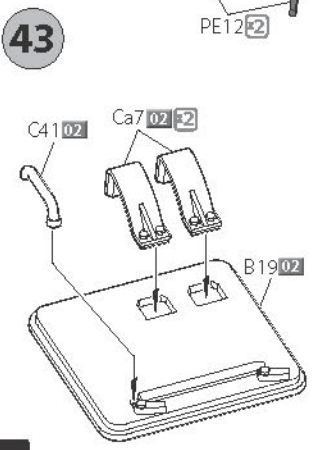
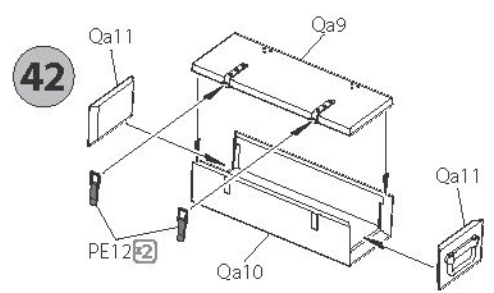
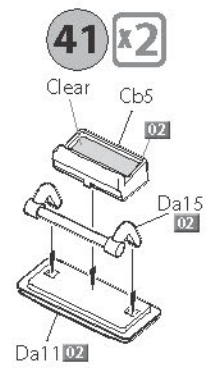




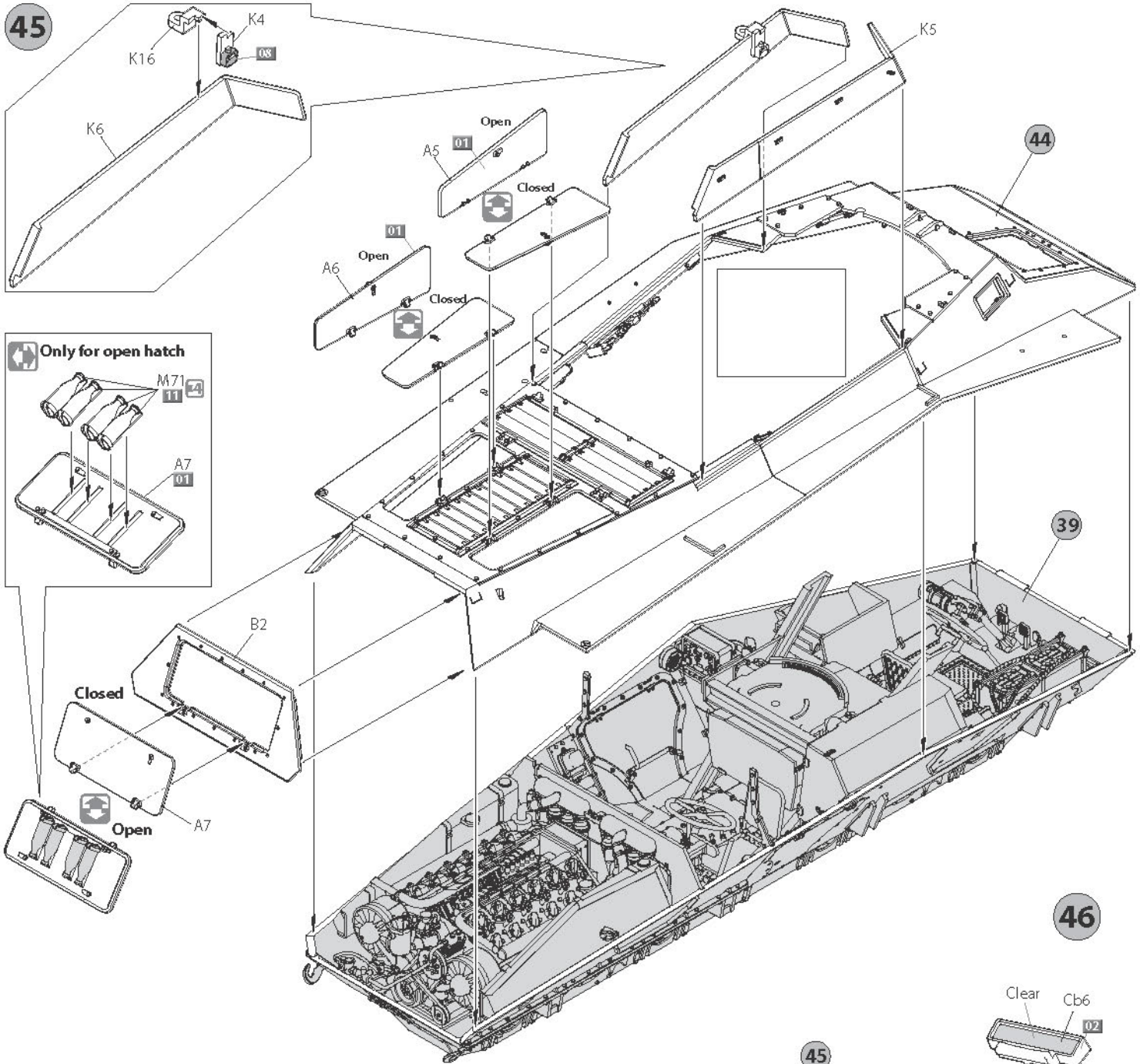


Only for color variant 4

Only for color variant 1, 2, 3



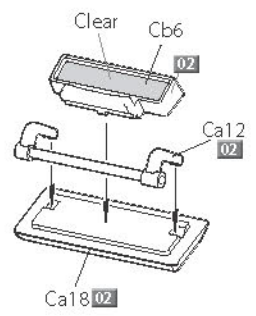
45



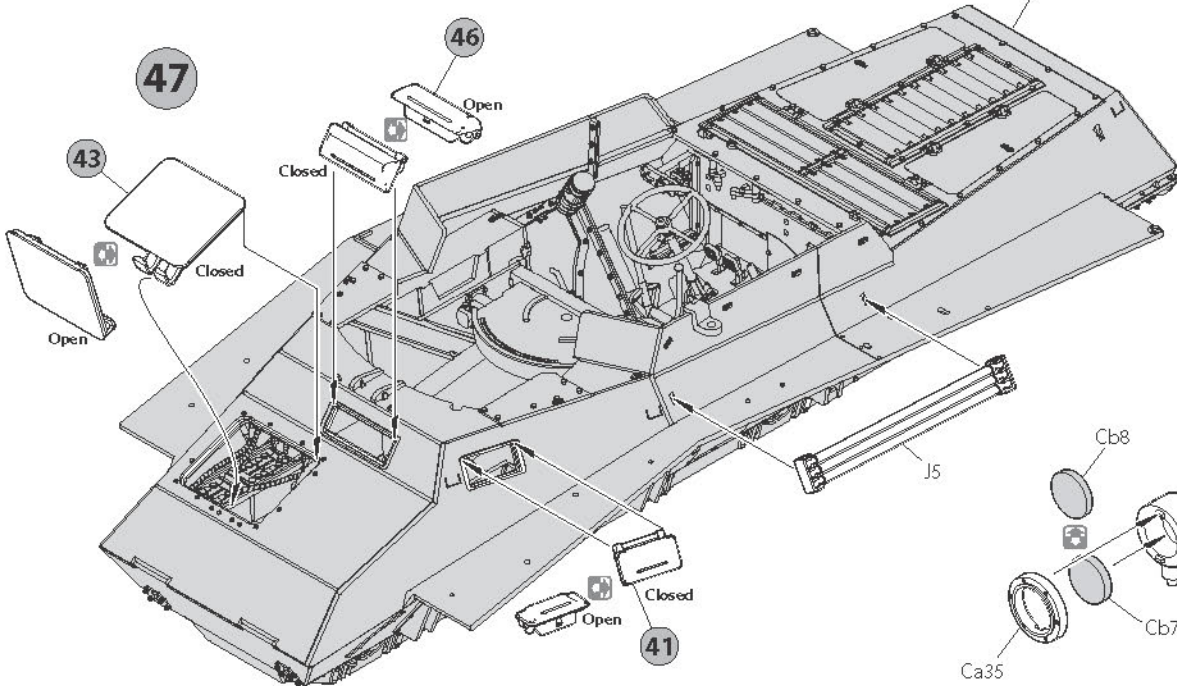
44

39

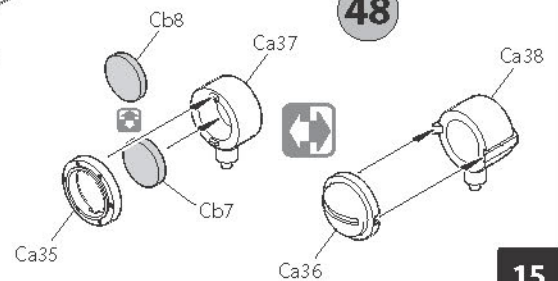
46

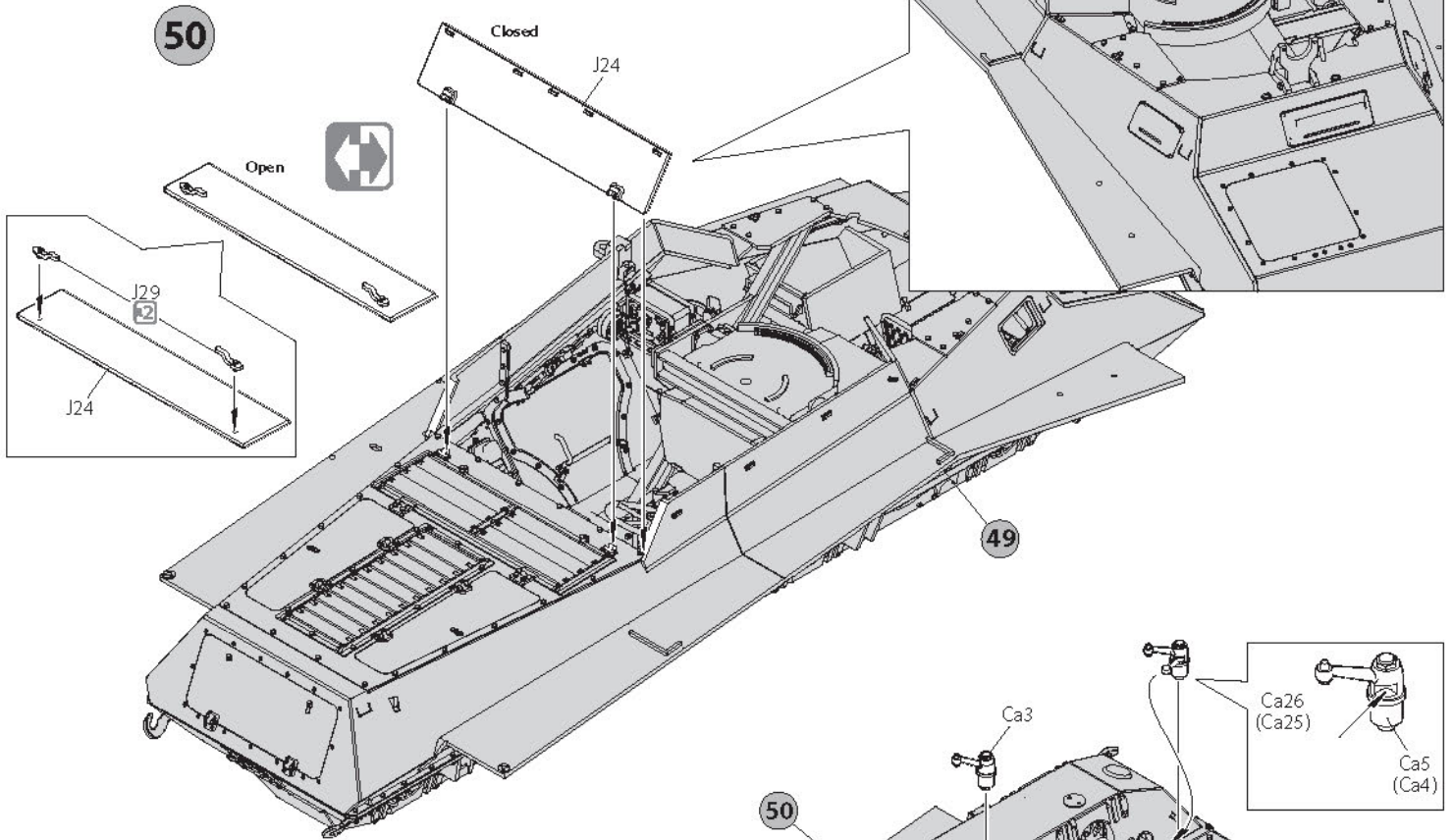
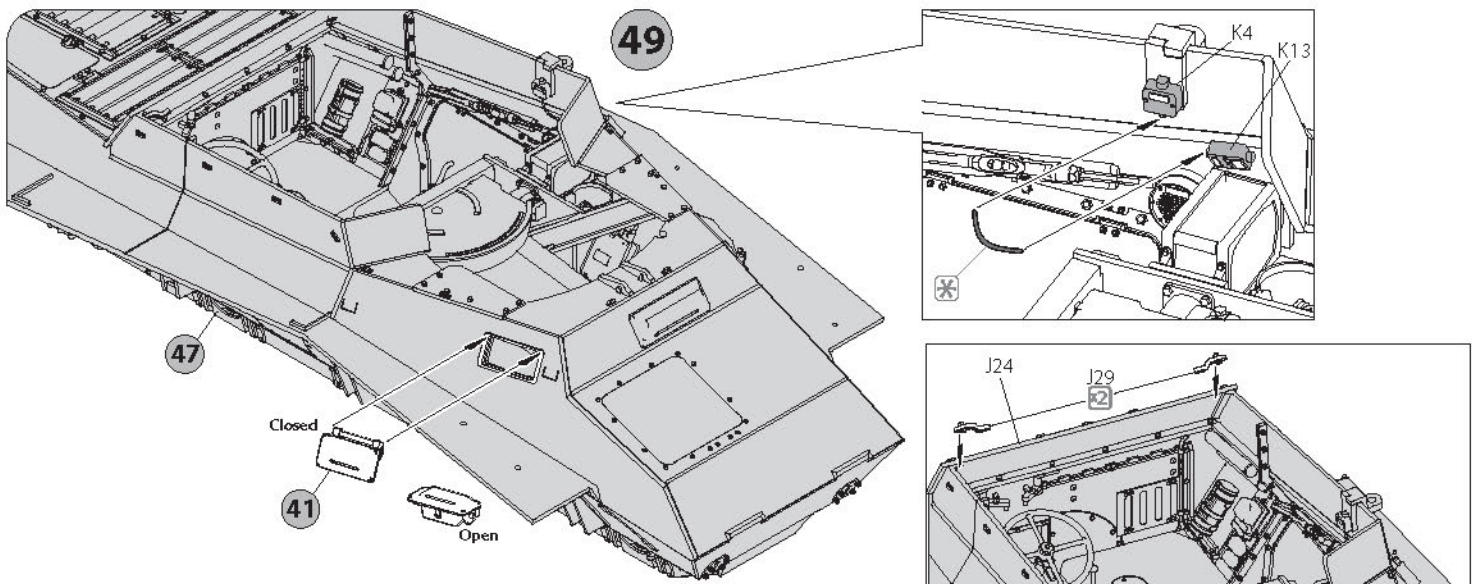


47

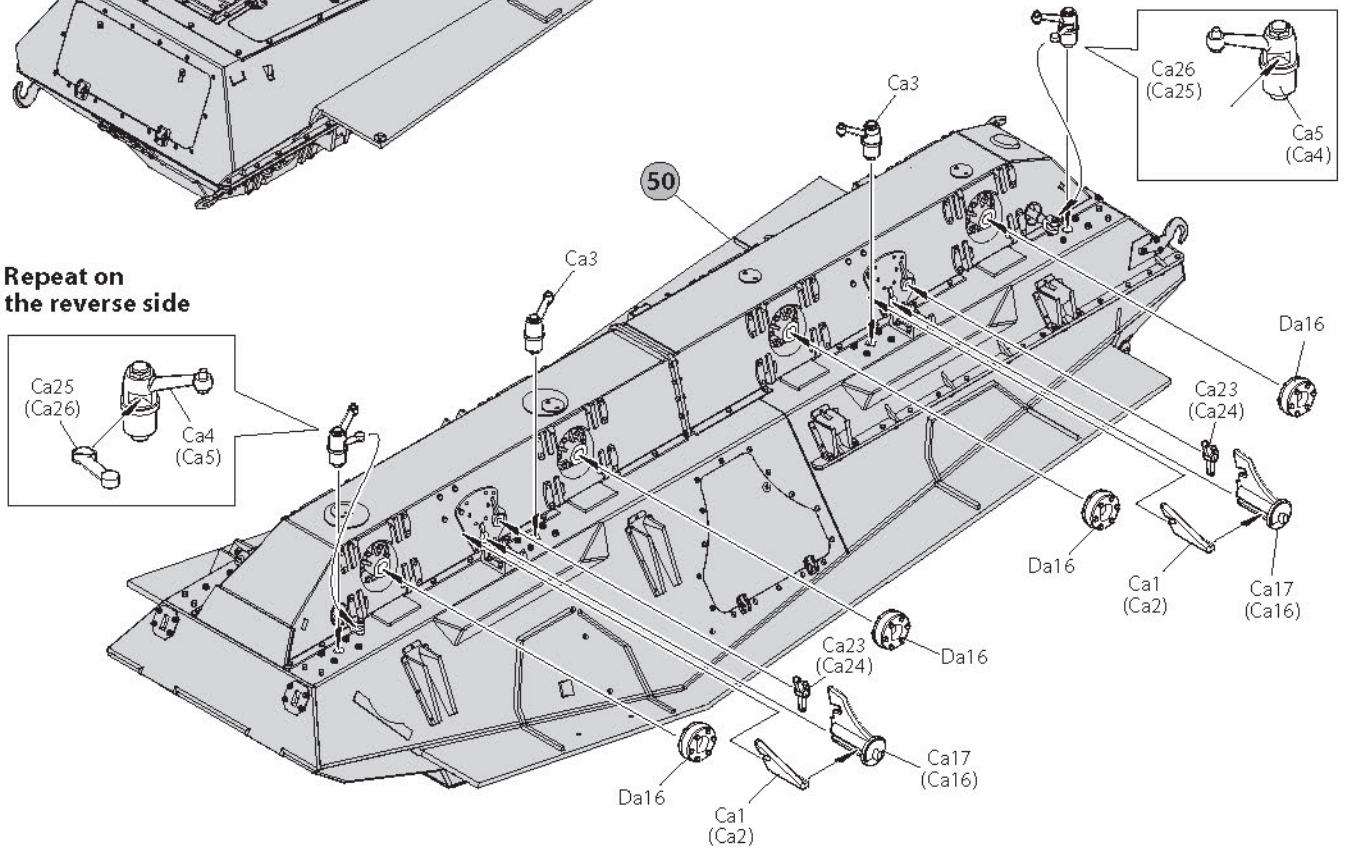


48

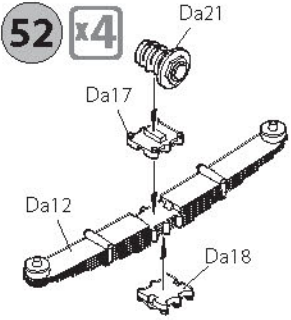




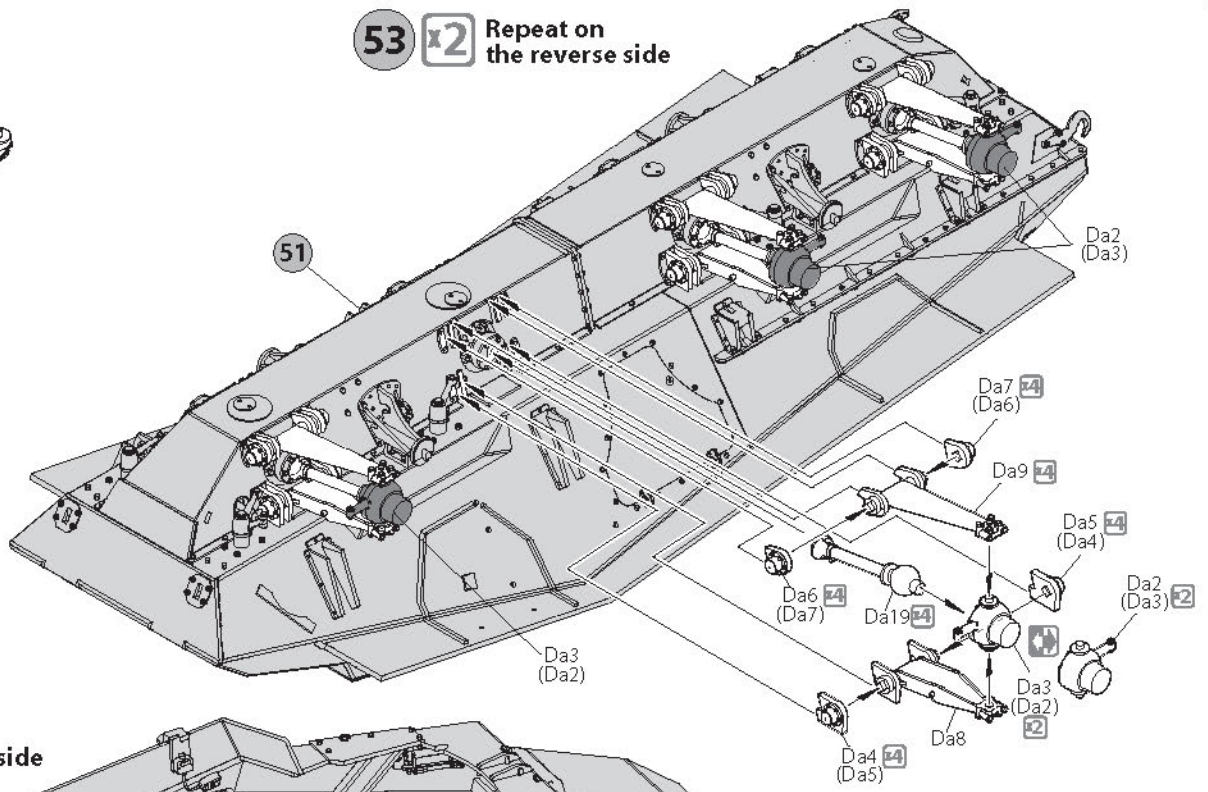
**51** x2 Repeat on the reverse side



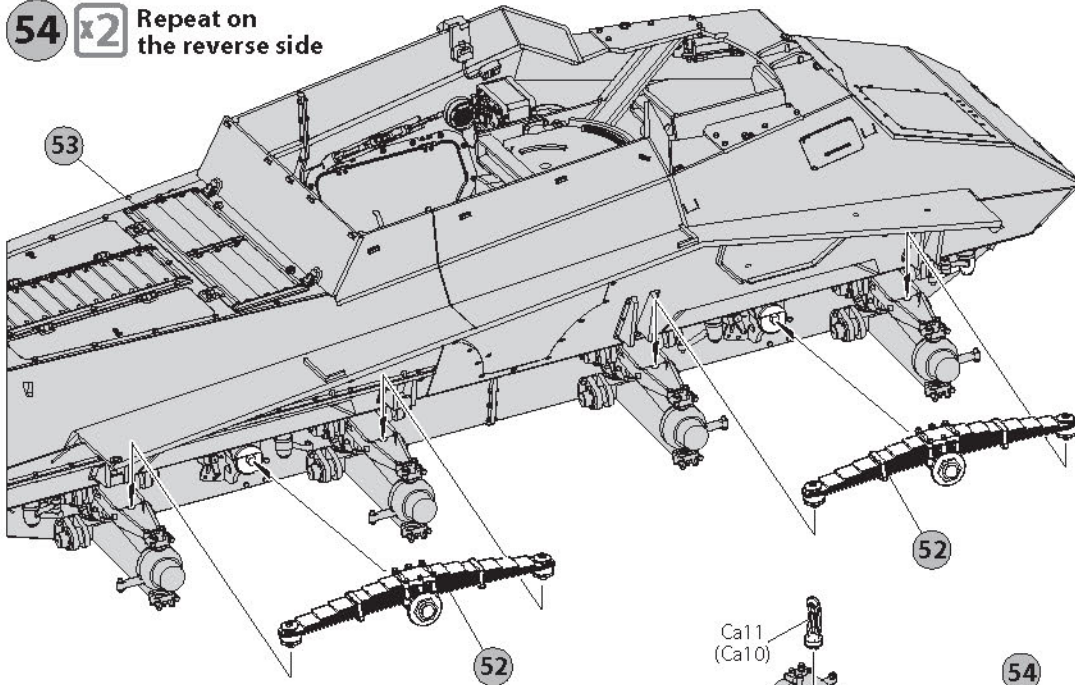




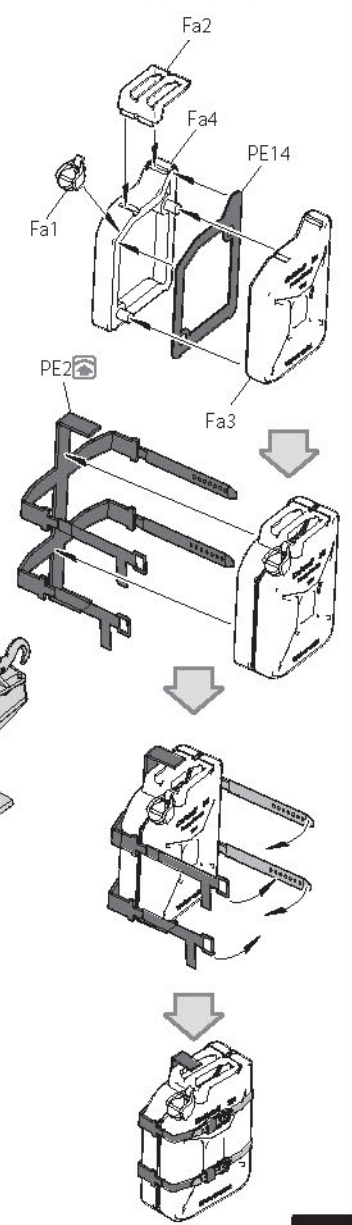
**53** **x2** Repeat on the reverse side



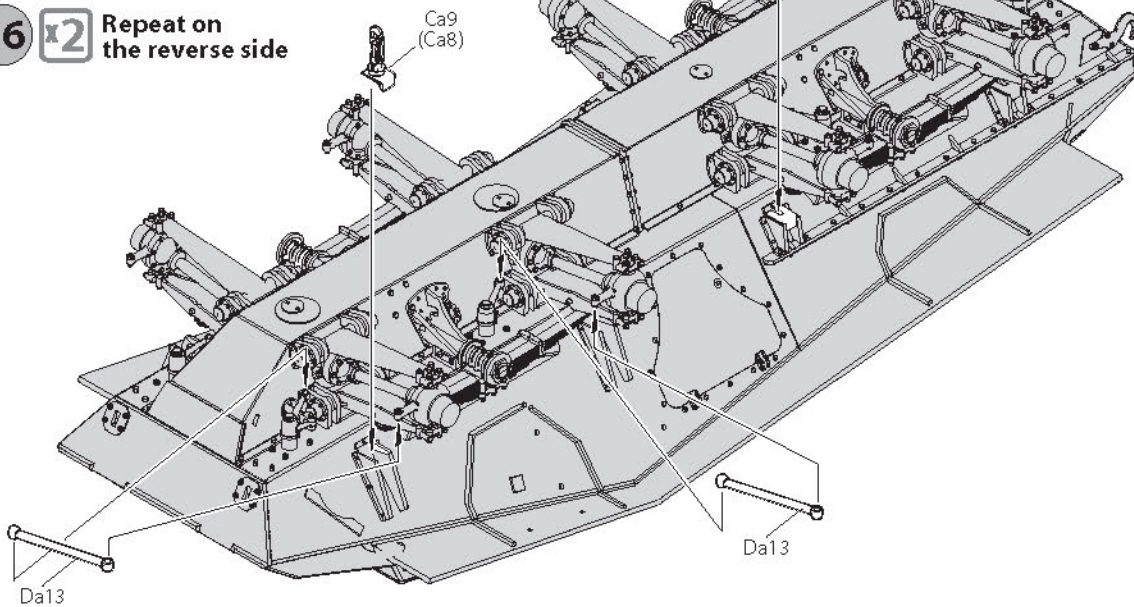
**54** **x2** Repeat on the reverse side



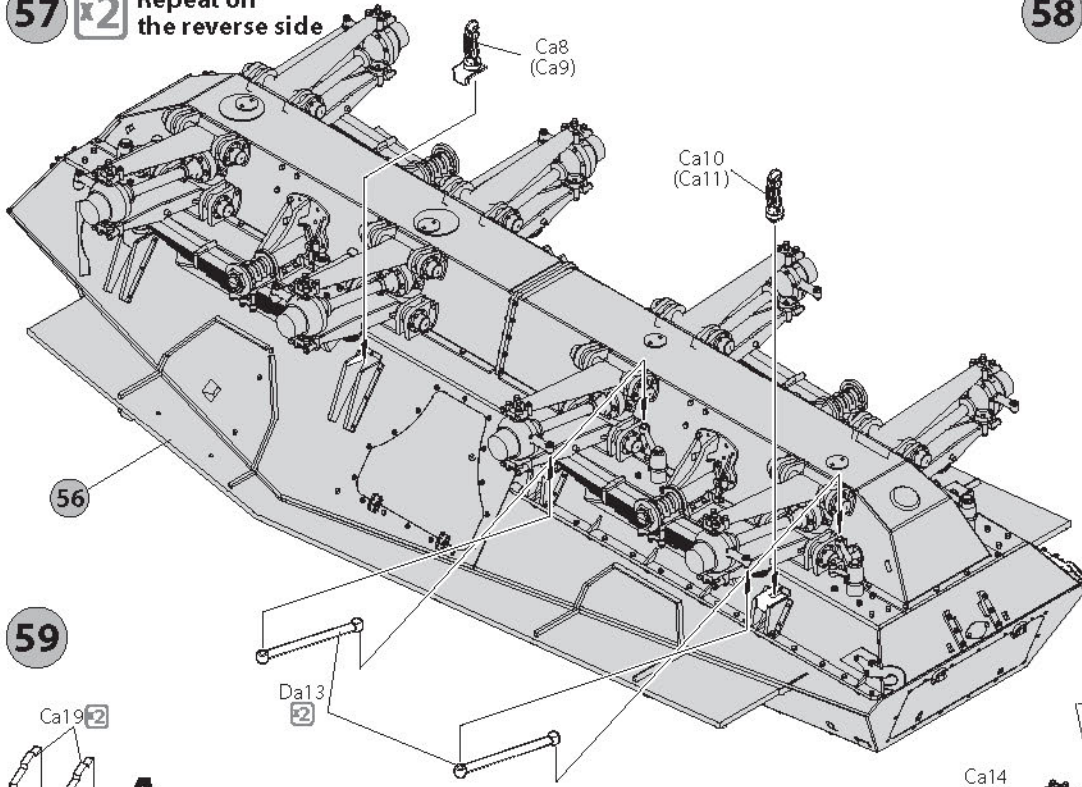
**55** **x4**



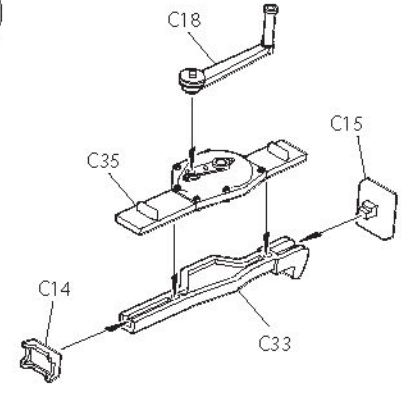
**56** **x2** Repeat on the reverse side



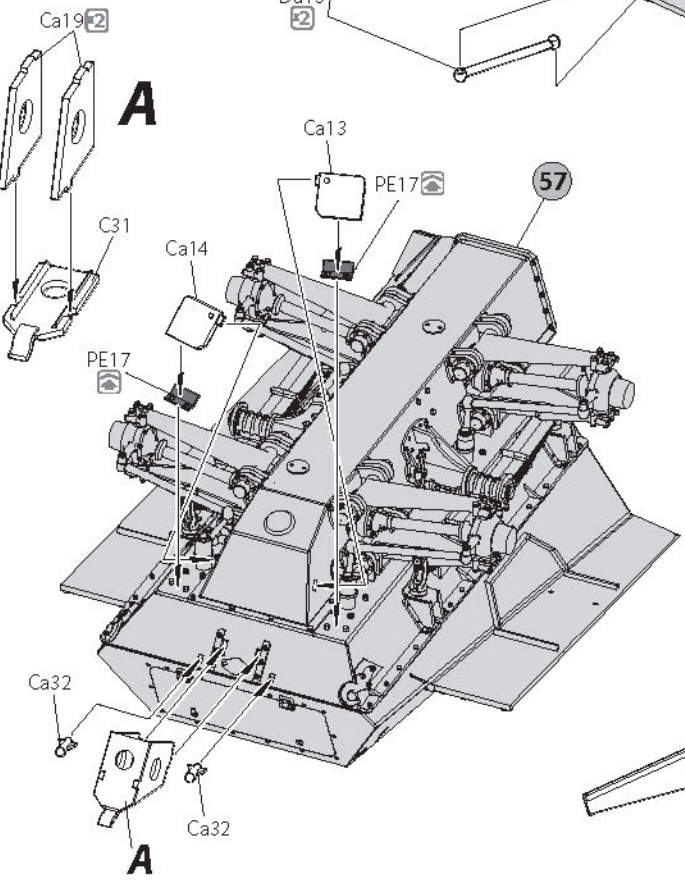
**57** **x2** Repeat on the reverse side



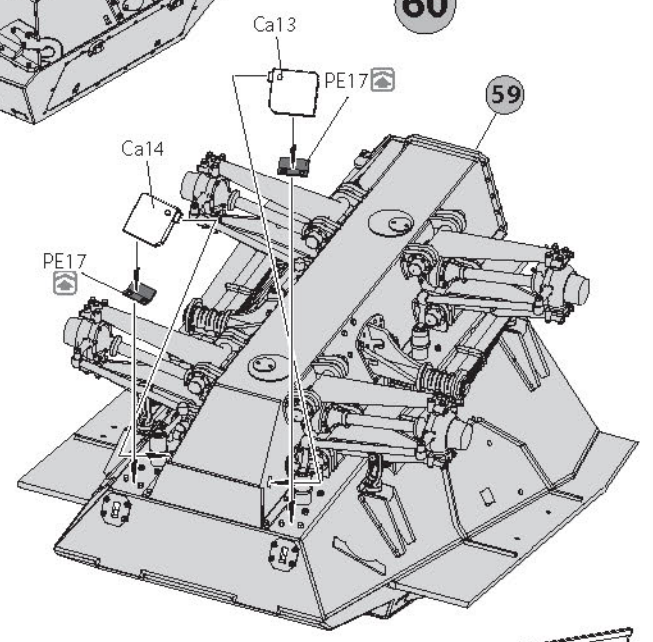
**58**



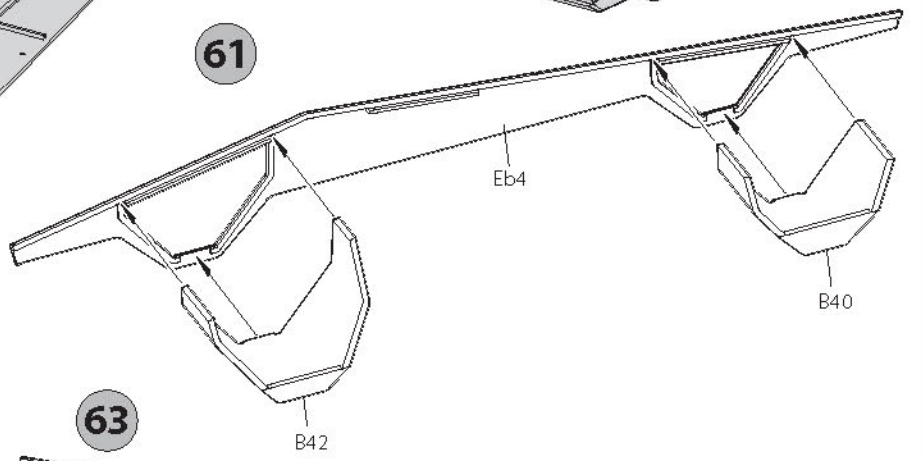
**59**



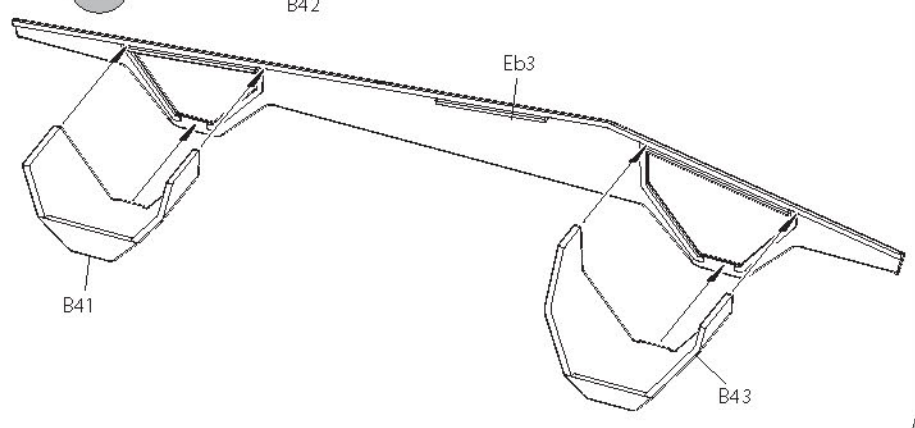
**60**



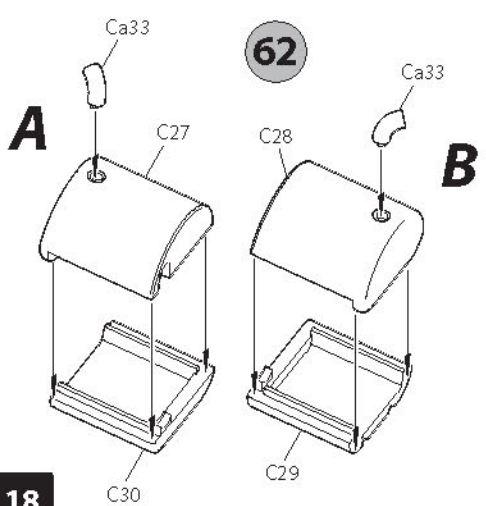
**61**



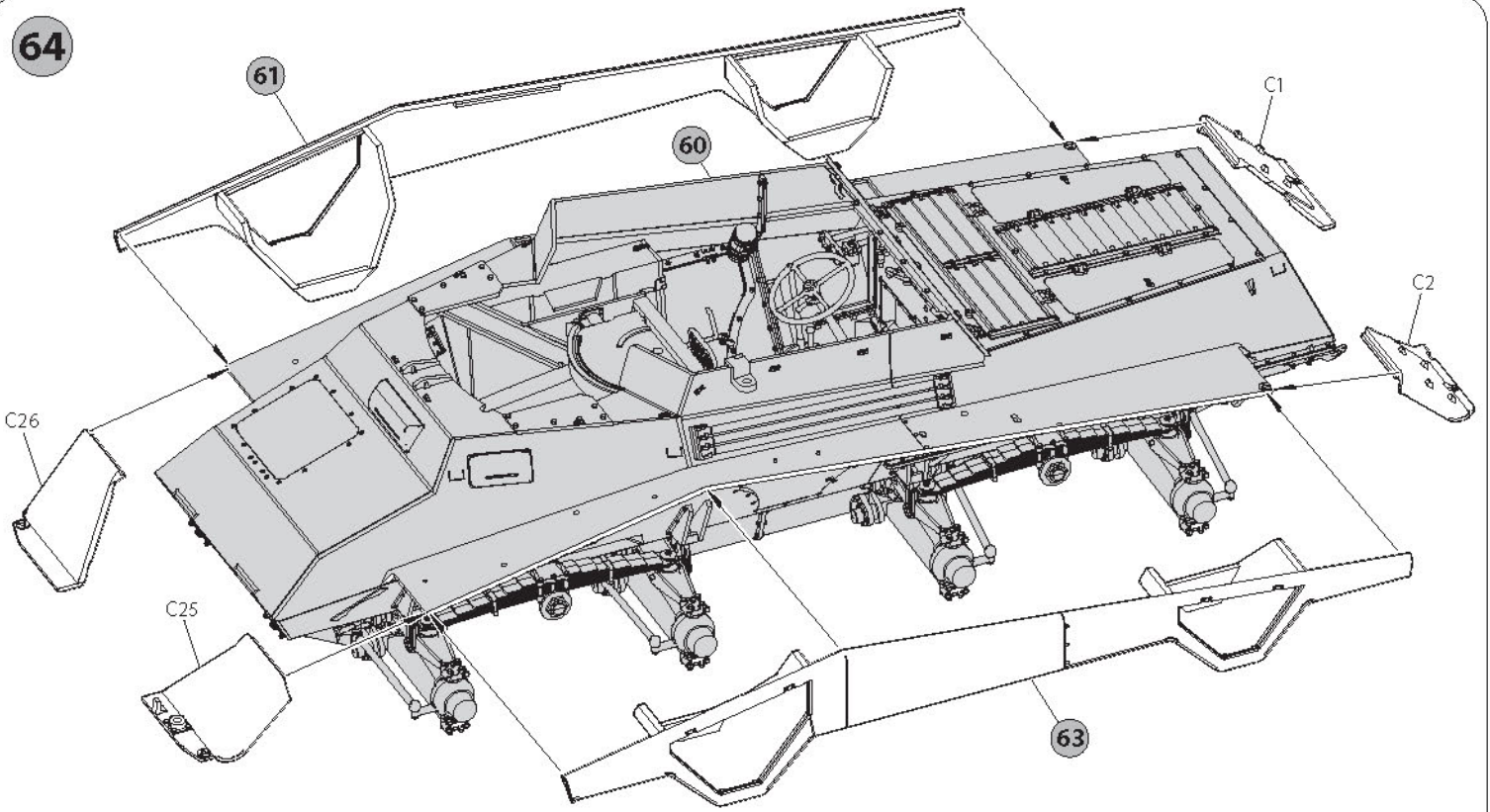
**63**



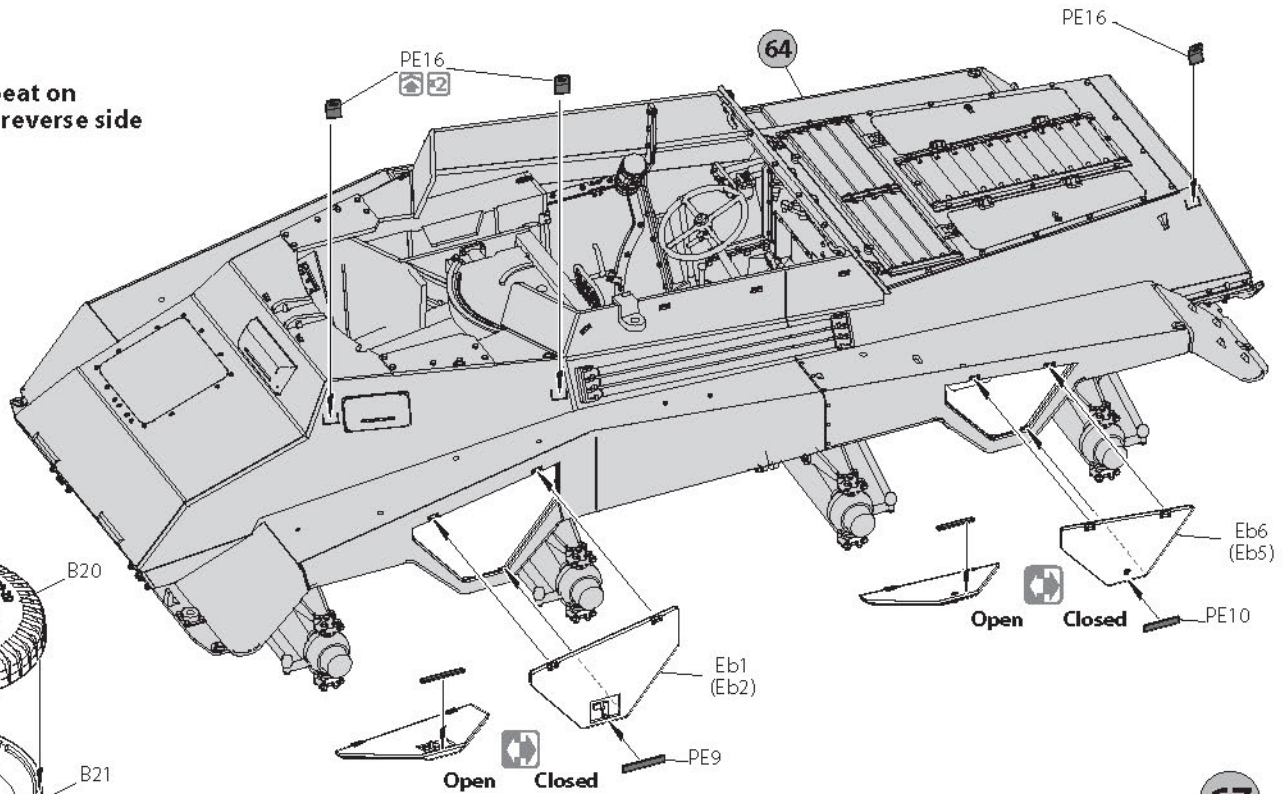
**62**



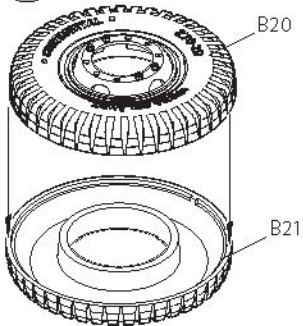
64



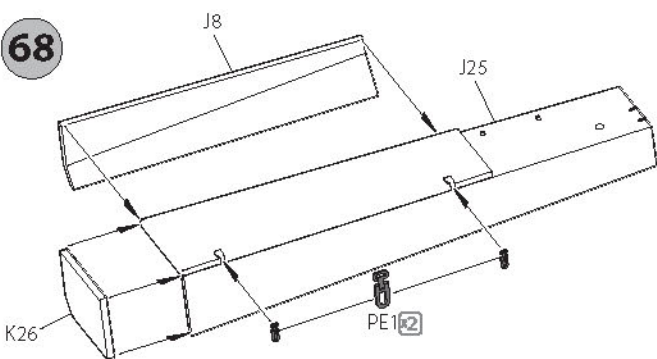
65 x2 Repeat on the reverse side



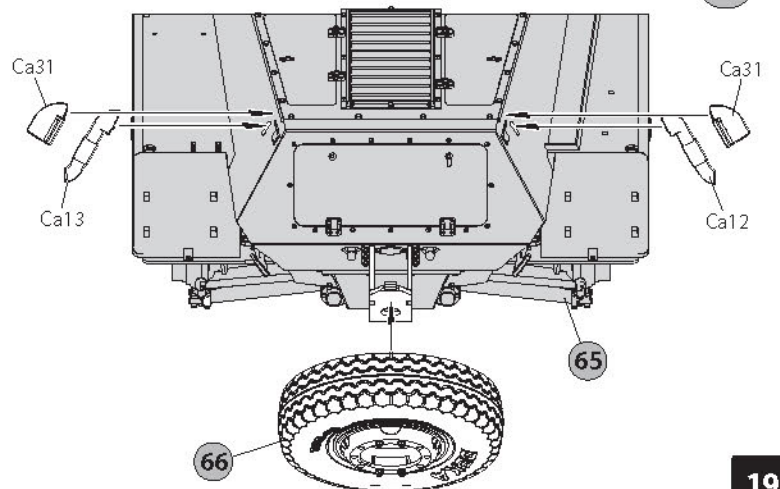
66



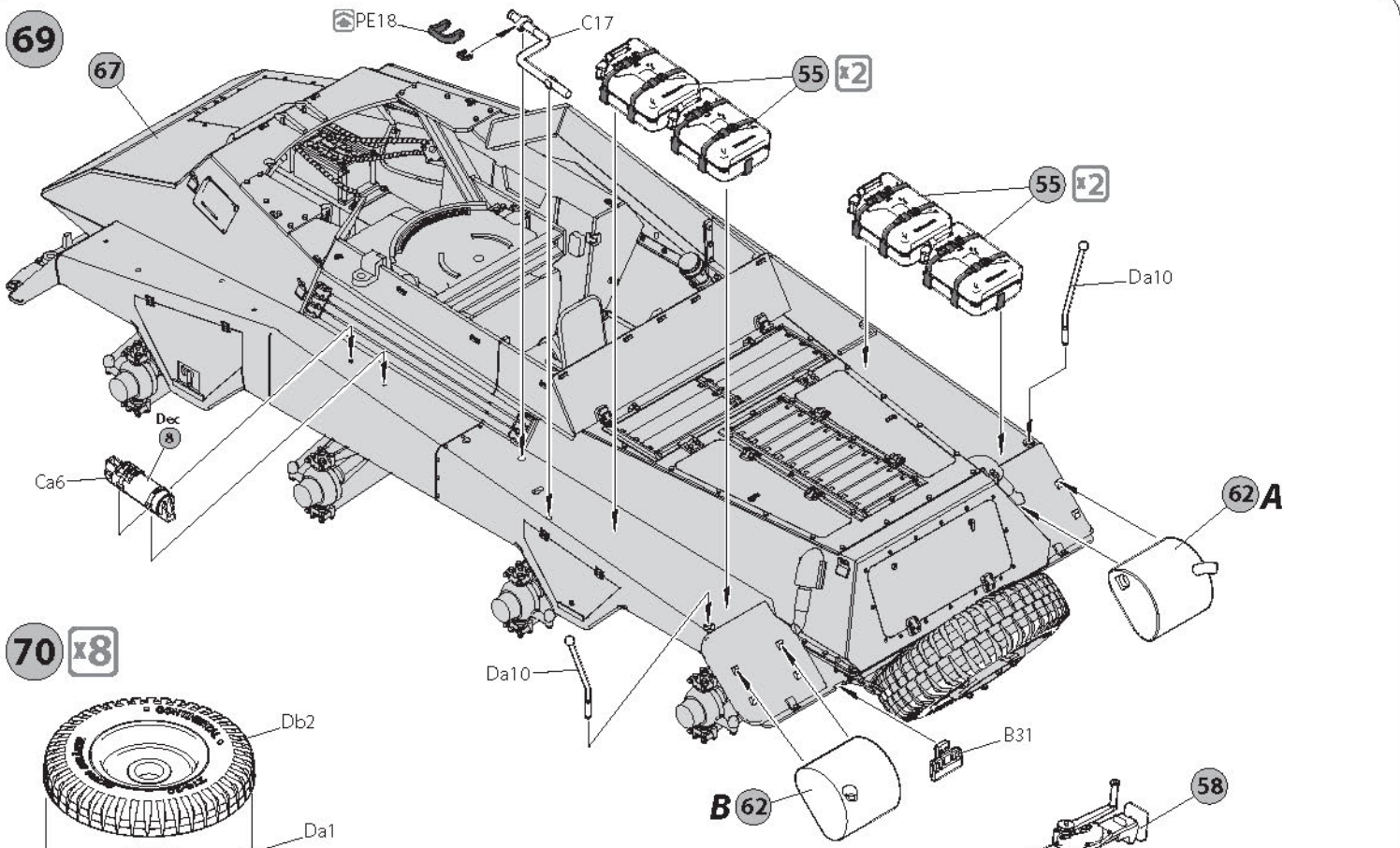
68



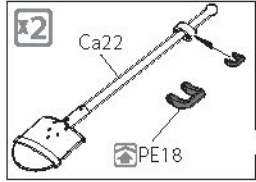
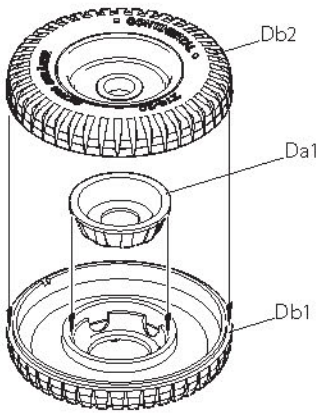
67



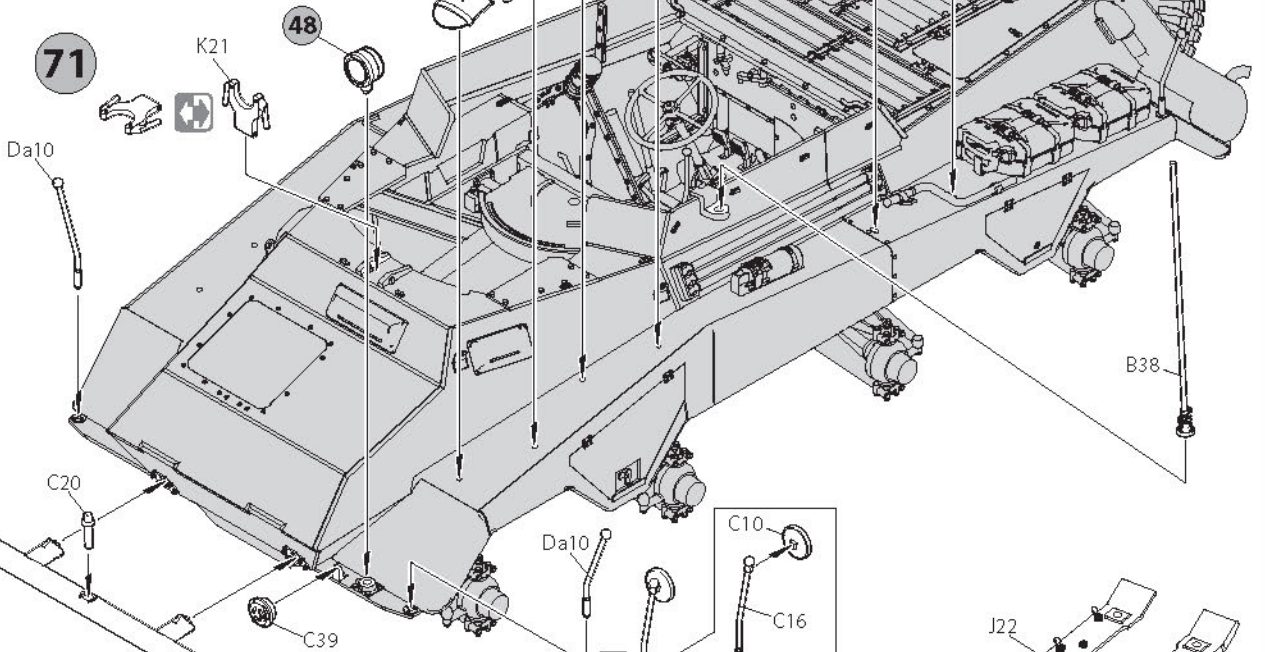
69



70 x8



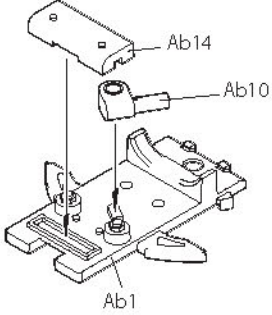
71



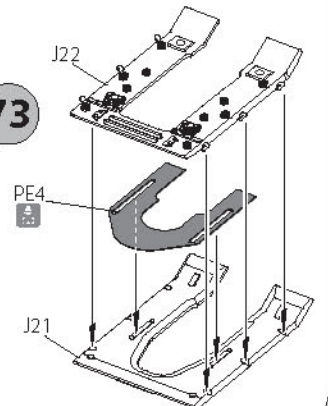
Only for color variant 4

Only for color variant 1, 2, 3

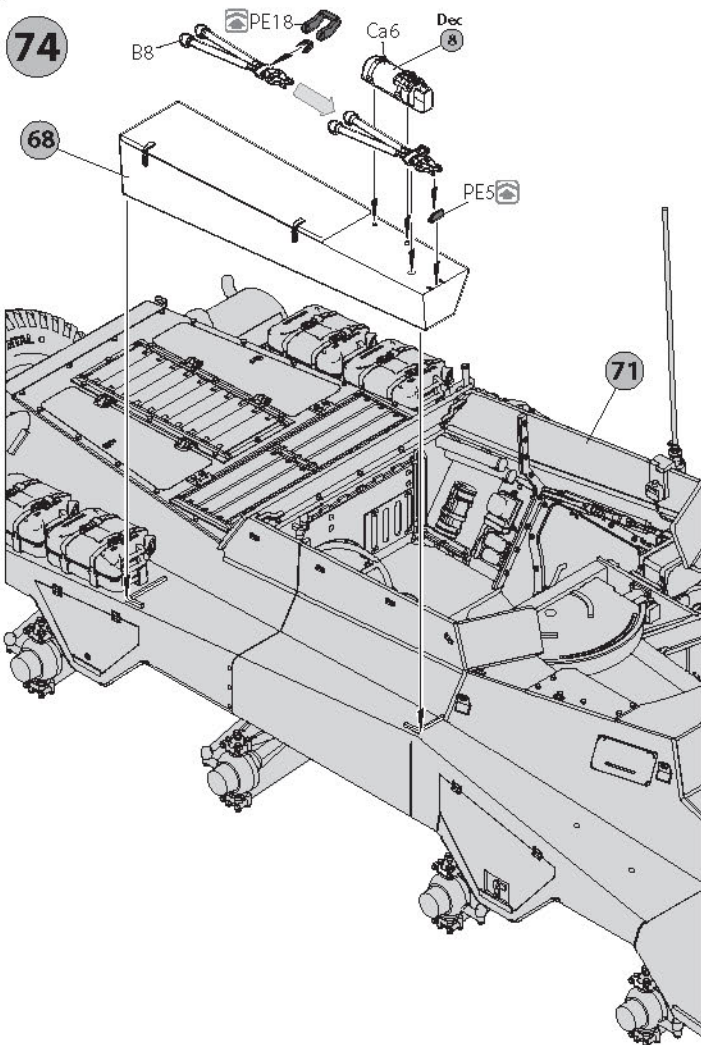
72



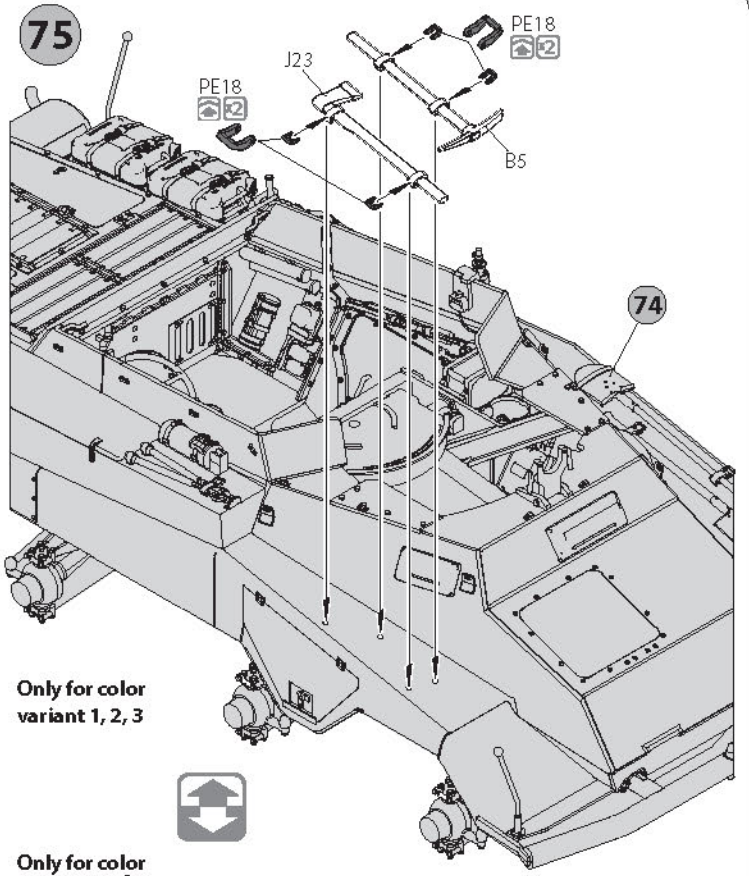
73



74



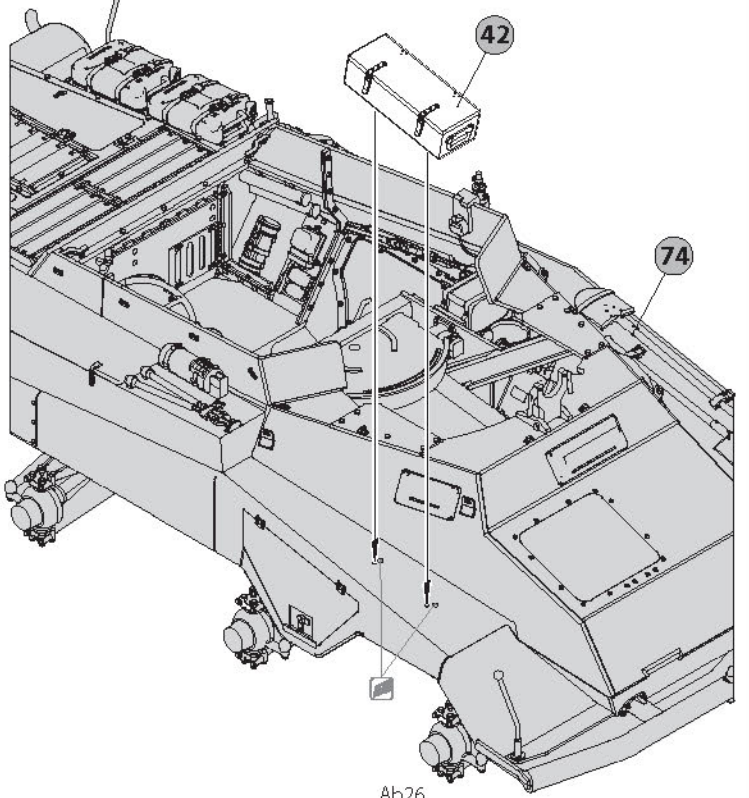
75



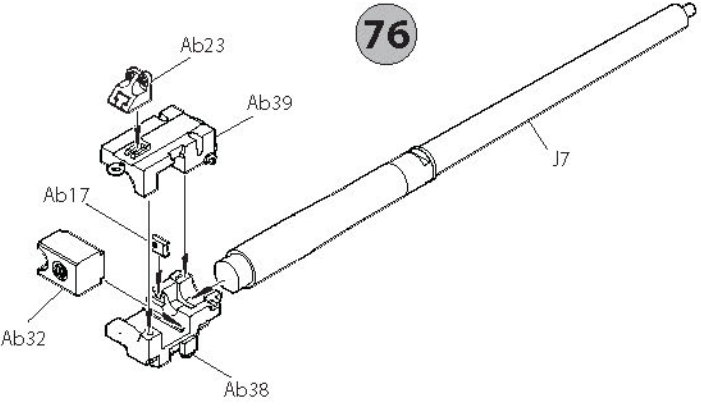
Only for color variant 1, 2, 3



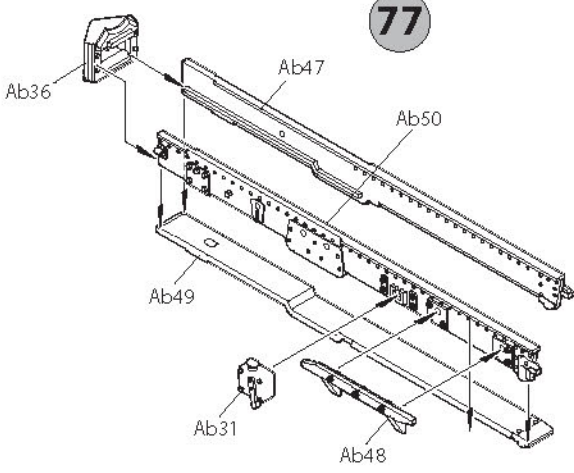
Only for color variant 4



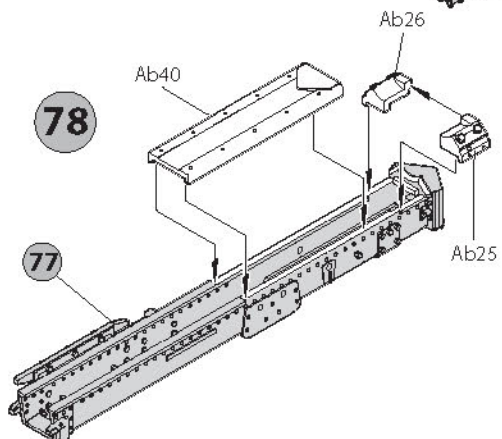
76

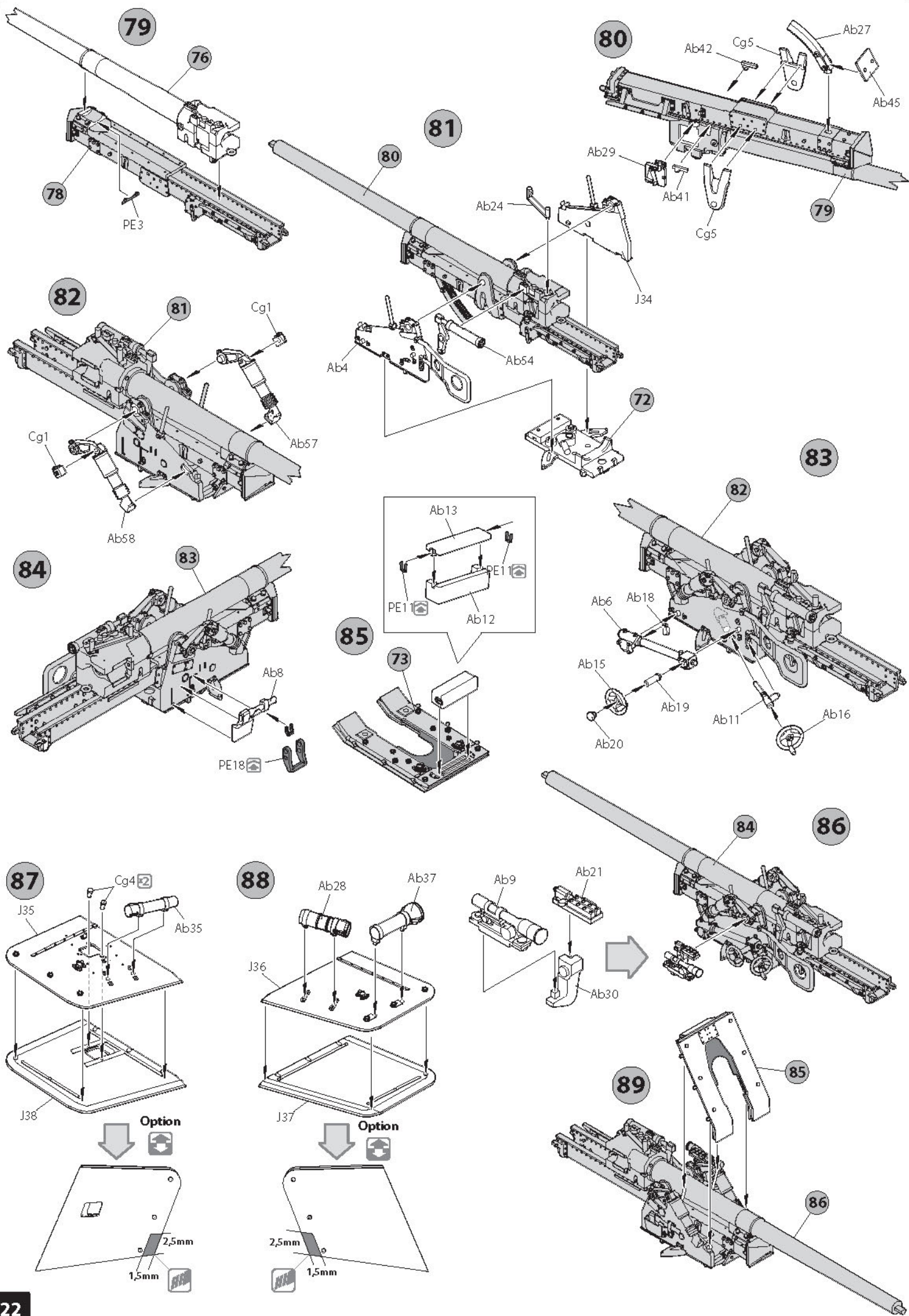


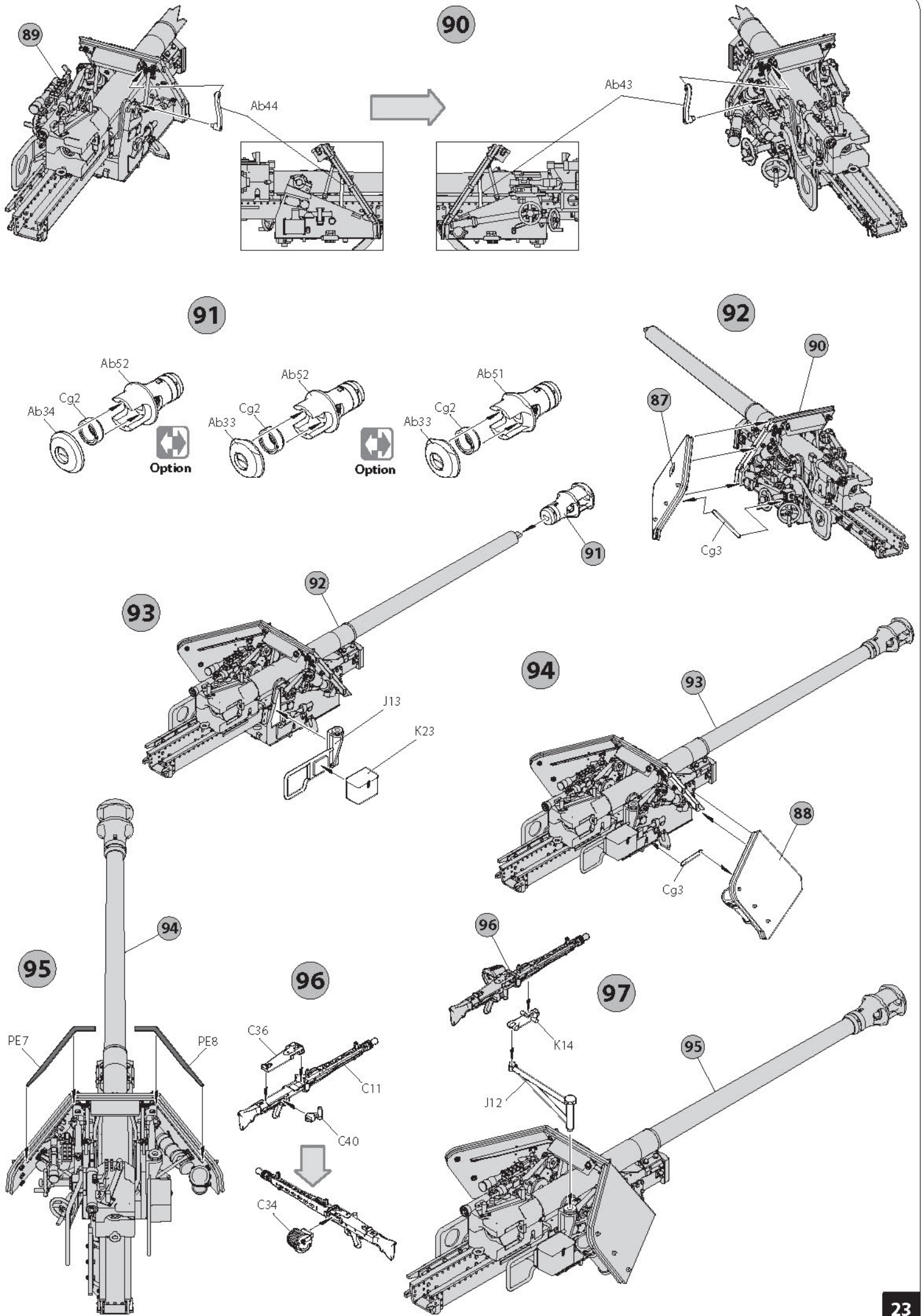
77

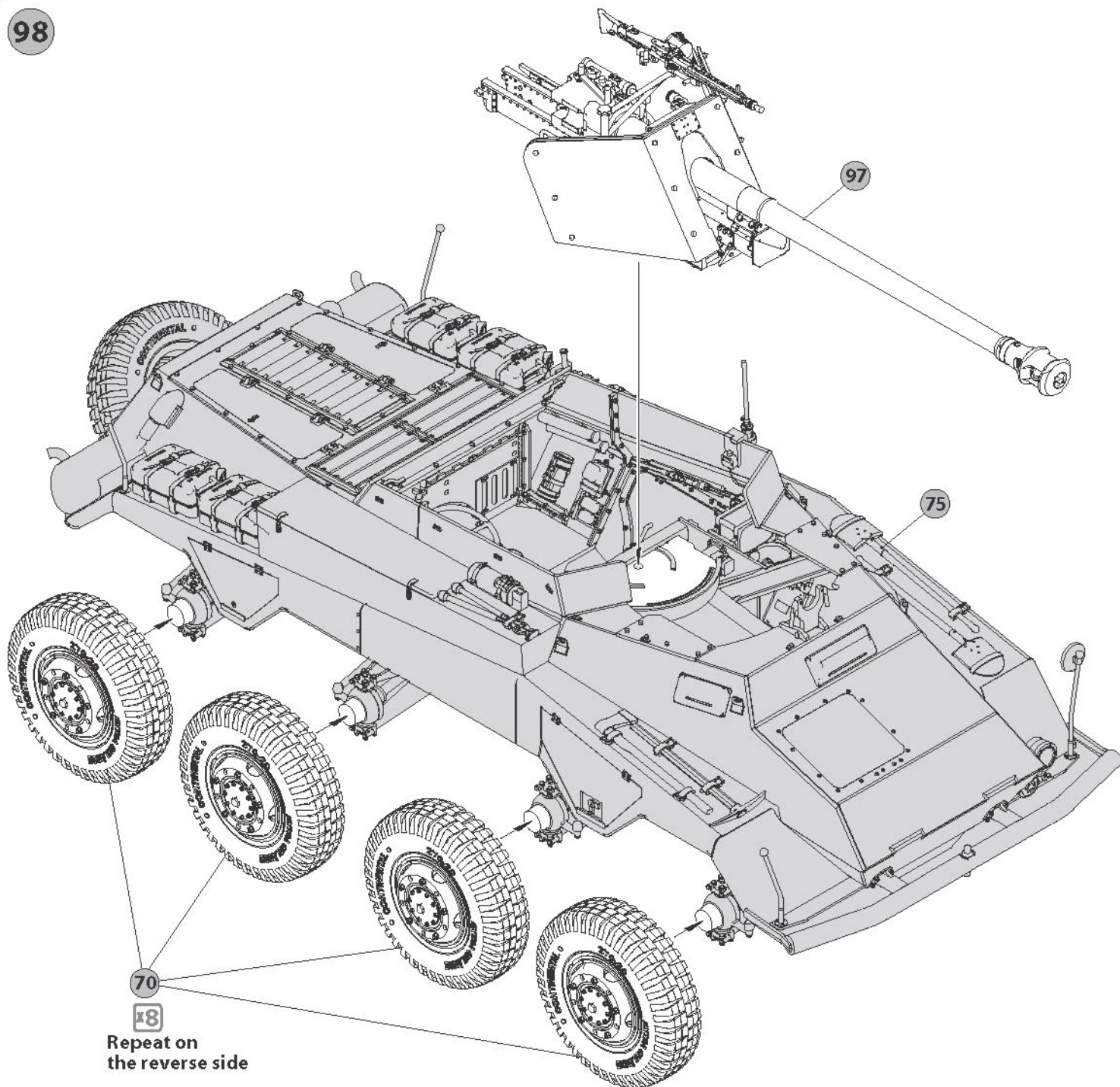


78









Repeat on the reverse side

### COLOR CHART

Nº	Vallejo	Mr. Color	AK RC	Mission Models	AMMO MIG	Tamiya	Color name
01	71.271	C-041	RC-067	MMP-015	A.MIG-0014	Xf-64	German Rotbraun
02	71.119	C-332	RC-003	MMP-082	A.MIG-0017	XF-02	Cremeweiss
03	71.073	C-078	RC-015	MMM-001	A.MIG-0045	XF-84	Gun Metal
04	71.056	C-040	RC-057	MMP-014	A.MIG-0008	XF-63	Dunkelgrau
05	71.067	C-219	AK-460	MMM-009	A.MIG-0197	X-12	Brass
06	71.025	C-039	RC-062	MMP-011	A.MIG-0010	XF-60	Dunkelgelb
07	71.072	C-028	AK-476	MMM-002	A.MIG-0191	XF-56	Steel
08	71.057	C-033	RC-001	MMP-047	A.MIG-0046	XF-01	Black
09	71.062	C-090	RC-020	MMM-008	A.MIG-0194	XF-16	Aluminum
10	71.007	C-038	RC-023	MMP-025	A.MIG-0081	XF-62	Olive Green
11	71.108	C-115	RC-256	MMP-055	A.MIG-0210	XF-25	Grey Blue
12	71.041	C-310	RC-035	MMP-033	A.MIG-0076	XF-10	Brown
13	71.251	C-137	RC-022	MMP-040	A.MIG-0033	XF-85	Tire Black
14	71.031	C-043	RC-030	MMP-076	A.MIG-0037	XF-79	Wood
15	71.069	C-131	AK-709	MMW-001	A.MIG-0041	XF-10	Rust
16	71.001	C-062	RC-004	MMP-001	A.MIG-0050	XF-02	White



# Sd.Kfz.234/2 "PUMA"

PLASTIC MODEL KIT  
PE PARTS ARE INCLUDED  
THIS IS NOT A TOY

35419



VERBOVEN  
BOOTH23

SCALE 1:35

WW II MILITARY MINIATURES SERIES

# WERKSTATTKRAFTWAGEN TYP-03-30

UNASSEMBLED PLASTIC MODEL KIT  
BOX CONTAIN MODEL OF BUS  
WITH REPAIRING EQUIPMENT,  
TOOLS & FIGURE  
PE PARTS & DECAL SHEET  
ARE INCLUDED  
THIS IS NOT A TOY

35359



1:35

MiniArt

WW II MILITARY MINIATURES SERIES

# Sd.Kfz.234/2 "PUMA"

**INTERIOR KIT**  
INTERIOR IS ACCURATELY REPRESENTED



VOLODYMYR BOOTH23

35414

PLASTIC MODEL KIT  
PE PARTS ARE INCLUDED  
THIS IS NOT A TOY

**MiniArt**

**SCALE 1:35**

WW II MILITARY MINIATURES SERIES

# StuG III Ausf.G March 1943 Alkett Prod.

## WITH WINTER TRACKS

WW II MILITARY MINIATURES SERIES

35367

PLASTIC MODEL KIT THIS IS NOT A TOY BOX CONTAINS MODEL OF SELF-PROPELLED GUN  
PE PARTS ARE INCLUDED INDIVIDUAL TRACKS 3 DECAL OPTIONS



VOLODYMYR BOOTH22

**1:35**

**MiniArt**

**INTERIOR KIT**  
INTERIOR IS ACCURATELY REPRESENTED

PAINTING GUIDE **3** Unidentified unit. Spring 1945.



PAINTING GUIDE **4** Korps Pz.Aufkl.Abt. "Feldherrnhalle". Austria, Linz Area, Spring 1945.

